



An Oshkosh Corporation Company

---

# ***Operation and Safety Manual***

*Original Instructions - Keep this manual with the machine at all times.*

***ANSI***



***AS/NZS***

***Models***  
***AM Series***  
***25AM***  
***30AM***  
***38AM***  
***PVC 2002***

***31215807***

*February 10, 2020 - Rev B*

---



## **WARNING**

Operating, servicing and maintaining this vehicle or equipment can expose you to chemicals including engine exhaust, carbon monoxide, phthalates, and lead, which are known to the State of California to cause cancer and birth defects or other reproductive harm. To minimize exposure, avoid breathing exhaust, do not idle the engine except as necessary, service your vehicle or equipment in a well-ventilated area and wear gloves or wash your hands frequently when servicing. For more information go to [www.P65Warnings.ca.gov](http://www.P65Warnings.ca.gov).

## **FOREWARD**

The Mobile Elevating Work Platform (MEWP) models covered in this manual are designed and tested to meet or exceed various compliance standards. Please refer to the manufacturer's nameplate affixed to the subject MEWP for specific standard compliance information.

This manual is a very important tool! Keep it with the machine at all times.

The purpose of this manual is to provide owners, users, operators, lessors, and lessees with the precautions and operating procedures essential for the safe and proper machine operation for its intended purpose.

Due to continuous product improvements, JLG Industries, Inc. reserves the right to make specification changes without prior notification. Contact JLG Industries, Inc. for updated information.

Refer to [www.JLG.com](http://www.JLG.com) for Warranty, Production Registration, and other machine-related documentation.

## **SAFETY ALERT SYMBOLS AND SAFETY SIGNAL WORDS**



This is the Safety Alert Symbol. It is used to alert you to the potential personal injury hazards. Obey all safety messages that follow this symbol to avoid possible injury or death

### **⚠ DANGER**

INDICATES AN IMMINENTLY HAZARDOUS SITUATION. IF NOT AVOIDED, WILL RESULT IN SERIOUS INJURY OR DEATH. THIS DECAL WILL HAVE A RED BACKGROUND.

### **⚠ WARNING**

INDICATES A POTENTIALITY HAZARDOUS SITUATION. IF NOT AVOIDED, COULD RESULT IN SERIOUS INJURY OR DEATH. THIS DECAL WILL HAVE AN ORANGE BACKGROUND.

### **⚠ CAUTION**

INDICATES A POTENTIALITY HAZARDOUS SITUATION. IF NOT AVOIDED, MAY RESULT IN MINOR OR MODERATE INJURY. IT MAY ALSO ALERT AGAINST UNSAFE PRACTICES. THIS DECAL WILL HAVE A YELLOW BACKGROUND.

### **NOTICE**

INDICATES INFORMATION OR A COMPANY POLICY THAT RELATES DIRECTLY OR INDIRECTLY TO THE SAFETY OF PERSONNEL OR PROTECTION OF PROPERTY.

**⚠ WARNING**

**THIS PRODUCT MUST COMPLY WITH ALL SAFETY RELATED BULLETINS. CONTACT JLG INDUSTRIES, INC. OR THE LOCAL AUTHORIZED JLG REPRESENTATIVE FOR INFORMATION REGARDING SAFETY RELATED BULLETINS WHICH MAY HAVE BEEN ISSUED FOR THIS PRODUCT.**

**NOTICE**

**JLG INDUSTRIES, INC. SENDS SAFETY RELATED BULLETINS TO THE OWNER OF RECORD OF THIS MACHINE. CONTACT JLG INDUSTRIES, INC. TO ENSURE THAT THE CURRENT OWNER RECORDS ARE UPDATED AND ACCURATE.**

**NOTICE**

**JLG INDUSTRIES, INC. MUST BE NOTIFIED IMMEDIATELY IN ALL INSTANCES WHERE JLG PRODUCTS HAVE BEEN INVOLVED IN AN ACCIDENT INVOLVING BODILY INJURY OR DEATH OF PERSONNEL OR WHEN SUBSTANTIAL DAMAGE HAS OCCURRED TO PERSONAL PROPERTY OR THE JLG PRODUCT.**

**For :**

- Accident Reporting
- Product Safety Publications
- Current Owner Updates
- Questions Regarding Product Safety
- Standards and Regulations Compliance Information
- Questions Regarding Special Product Applications
- Questions Regarding Product Modifications

**Contact :**

Product Safety and Reliability Department  
JLG Industries, Inc.  
13224 Fountainhead Plaza  
Hagerstown, MD 21742  
USA  
or Your Local JLG Office  
(See addresses on manual rear cover)

**In USA:**

Toll Free: 877-JLG-SAFE (877-554-7233)

**Outside USA:**

Phone: 240-420-2661  
Fax: 301-745-3713  
E-mail: ProductSafety@JLG.com

**REVISION LOG**

Original Issue    A - October 3, 2019  
Revised            B - February 10, 2020

<b>SECTION - PARAGRAPH, SUBJECT</b>	<b>PAGE</b>
<b>SECTION - - FOREWARD</b>	
<b>SECTION -- SAFETY ALERT SYMBOLS AND SAFETY SIGNAL WORDS</b>	
Contact :.....	1-c
In USA:.....	1-c
Outside USA:.....	1-c
<b>SECTION -- REVISION LOG</b>	
<b>SECTION - 1 - SAFETY PRECAUTIONS</b>	
1.1 GENERAL.....	1-1
1.2 TRANSPORTING .....	1-1
Transport .....	1-1
Tipping Hazards.....	1-2
Tilt Back Procedure.....	1-4
1.3 PRE-OPERATION.....	1-5
General .....	1-5
Electrocution Hazard .....	1-6
1.4 OPERATION .....	1-7
1.5 MAINTENANCE SAFETY PRECAUTIONS .....	1-10
<b>SECTION - 2 - USER RESPONSIBILITIES, MACHINE PREPARA-</b>	

<b>SECTION - PARAGRAPH, SUBJECT</b>	<b>PAGE</b>
<b>TION, AND INSPECTION</b>	
2.1 PERSONNEL TRAINING .....	2-1
Operator Training.....	2-1
Training Supervision.....	2-2
Operator Responsibility.....	2-2
Machine Familiarization.....	2-2
2.2 PREPARATION, INSPECTION, AND MAINTENANCE .....	2-2
2.3 PRE-START INSPECTION .....	2-4
2.4 FUNCTION CHECK .....	2-5
2.5 DAILY WALK-AROUND INSPECTION.....	2-5
General.....	2-5
<b>SECTION - 3 - MACHINE CONTROLS AND INDICATORS</b>	
3.1 GENERAL .....	3-1
3.2 CONTROLS AND INDICATORS .....	3-1
Ground Control Station .....	3-1
Manual Descent Valve .....	3-3
Platform Control Station .....	3-3

## TABLE OF CONTENTS

---

SECTION - PARAGRAPH, SUBJECT	PAGE	SECTION - PARAGRAPH, SUBJECT	PAGE
3.3 DECAL INSTALLATIONS .....	3-5	Tilt-Back Assembly Set-up (AM38) .....	4-12
<b>SECTION - 4 - MACHINE OPERATION</b>		Pickup Truck Loading Device (Option) .....	4-16
4.1 DESCRIPTION .....	4-1	Lifting .....	4-20
4.2 OPERATING CHARACTERISTICS AND LIMITATIONS .....	4-1	Machine Tie Down .....	4-20
Capacities .....	4-1	<b>SECTION - 5 - OPTIONAL EQUIPMENT</b>	
4.3 BATTERY CHARGING & MAINTENANCE - (DC MODELS ONLY) .....	4-2	5.1 OPTIONAL EQUIPMENT .....	5-1
Battery Maintenance and Safety .....	4-2	22" x 22" Quick-Change Platform (Not Available in CE Markets) .....	5-1
Battery Charger Operation .....	4-3	26" x 26" Quick-Change Platform (Not Available in CE Markets) .....	5-1
Abnormal Cycle Indicator LED .....	4-4	28" x 26" Quick-Change Platform (Not Available in CE Markets) .....	5-1
4.4 MACHINE SET-UP AND OPERATION .....	4-5	Tool Tray .....	5-1
Caster Brake Operation .....	4-5	Fluorescent Tube Caddy .....	5-1
Outrigger Installation .....	4-6	Crane Hook .....	5-1
Platform Loading .....	4-8	Extra Power Pack (Battery, Charger & Case) ...	5-1
Platform Operation .....	4-8	Platform Auxiliary Power Lowering Device .....	5-1
4.5 QUICK-CHANGE PLATFORM MOUNTS .....	4-9	Hour Meter .....	5-1
Platform Removal .....	4-9	<b>SECTION - 6 - EMERGENCY PROCEDURES</b>	
Platform Installation .....	4-10	6.1 GENERAL INFORMATION .....	6-1
4.6 MACHINE SHUT DOWN AND PARK .....	4-10	6.2 EMERGENCY OPERATION .....	6-1
4.7 TRANSPORT, LIFTING AND TIE DOWN .....	4-11	Operator Unable to Control Machine .....	6-1
General .....	4-11		
Transporting by Pushing .....	4-11		



**TABLE OF CONTENTS**

<b>SECTION - PARAGRAPH, SUBJECT</b>	<b>PAGE</b>
Platform Caught Overhead .....	6-1
Righting of Tipped Machine .....	6-2
6.3 INCIDENT NOTIFICATION .....	6-2

**SECTION - 7 - GENERAL SPECIFICATIONS AND OPERATOR MAINTENANCE**

7.1 INTRODUCTION .....	7-1
7.2 GENERAL SPECIFICATIONS .....	7-2
Machine Specifications .....	7-2
Electrical Specifications .....	7-3
Battery Specifications .....	7-3
Platform Data .....	7-4
Machine Component Weights .....	7-5
Serial Number Locations .....	7-5
7.3 OPERATOR MAINTENANCE .....	7-6
Lubrication .....	7-6
Battery Maintenance .....	7-7
7.4 SUPPLEMENTAL INFORMATION .....	7-10

**SECTION - 8 - INSPECTION AND REPAIR LOG**

<b>SECTION - PARAGRAPH, SUBJECT</b>	<b>PAGE</b>
-------------------------------------	-------------

**LIST OF FIGURES**

2-1. Daily Walk-Around inspection .....	2-7
3-1. Ground Control Station .....	3-2
3-2. Manual Descent Valve Location .....	3-3
3-3. Platform Control Station .....	3-4
3-4. Decal Installation. (ANSI/CSA) .....	3-5
3-5. Decal Installation (CE and AUS) .....	3-8
4-1. Battery Fluid Level .....	4-2
4-2. Battery Box and Charger Assembly. (D.C. Model Only) .....	4-3
4-3. Dual Voltage Charger - Front Panel .....	4-4
4-4. Setting & Releasing Caster Brake .....	4-5
4-5. Outrigger Installation .....	4-7
4-6. Quick Change Platform Mount .....	4-9
4-7. Tilt-Back Assembly Set-Up .....	4-13
4-8. Tilt-Back Assembly Set-Up .....	4-14
4-9. Tilt-Back Assembly Set-Up .....	4-15
4-10. Loading Machine onto Bed of Pick-Up Truck ..	4-17
5-1. Hour Meter Location .....	5-2

## TABLE OF CONTENTS

---

SECTION - PARAGRAPH, SUBJECT	PAGE	SECTION - PARAGRAPH, SUBJECT	PAGE
<b>LIST OF TABLES</b>			
1-1	Minimum Approach Distance (M.A.D.) . . . . .	1-6	
2-1	Inspection and Maintenance Table . . . . .	2-3	
3-1	Decal Installation Chart (ANSI and CSA) (See Figure 3-4.) . . . . .	3-6	
3-2	Decal Installation Chart (CE and AUS Specification) (See Figure 3-5.) . . . . .	3-9	
4-1	Maximum Platform Capacity . . . . .	4-8	
4-2	AM Machine Gross Weights . . . . .	4-20	
7-1	Lubrication Specifications . . . . .	7-6	
7-2	Lubrication Intervals for Various Components . .	7-9	
8-1	Inspection and Repair Log . . . . .	8-1	

## SECTION 1. SAFETY PRECAUTIONS

### 1.1 GENERAL

This section outlines the necessary precautions for proper and safe machine usage and maintenance. For proper machine use, it is mandatory that a daily routine is established based on the content of this manual. A maintenance program, using the information provided in this manual and the Service and Maintenance Manual, must also be established by a qualified person and must be followed to ensure that the machine is safe to operate.

The owner/user/operator/lessor/lessee of the machine should not accept operating responsibility until this manual has been read, training is accomplished, and operation of the machine has been completed under the supervision of an experienced and qualified operator.

If there are any questions with regard to safety, training, inspection, maintenance, application and operation, please contact JLG Industries, Inc. ("JLG").

#### **WARNING**

**MODIFICATION OR ALTERATION OF AN MEWP SHALL BE MADE ONLY WITH PRIOR WRITTEN PERMISSION FROM THE MANUFACTURER.**

### 1.2 TRANSPORTING

#### **WARNING**

**FAILURE TO COMPLY WITH SAFETY PRECAUTIONS LISTED IN THIS SECTION AND ON MACHINE MAY RESULT IN MACHINE DAMAGE, PERSONNEL INJURY OR DEATH AND IS A SAFETY VIOLATION.**

#### **Transport**

- The platform must be completely empty of tools and debris.
- Ensure platform is fully lowered. Remove and stow outriggers.
- Never allow personnel in platform while moving machine.
- To move machine use handles provided on the mast crossbar.

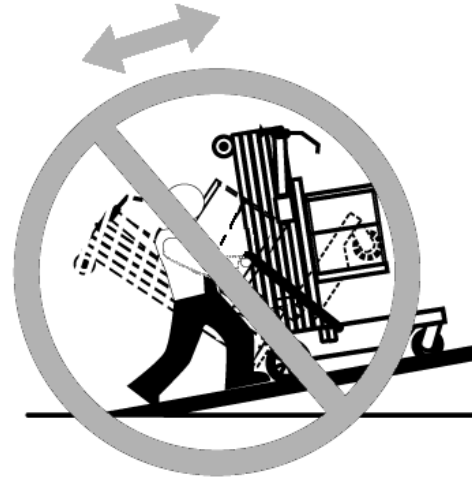
**Tipping Hazards**

**⚠ WARNING**

**FAILURE TO COMPLY WITH THE FOLLOWING TIPPING HAZARD INSTRUCTIONS COULD CAUSE THE UNIT TO TIP OVER OR BE HARD TO CONTROL WHEN BEING MOVED, WHICH COULD RESULT IN SERIOUS INJURY OR DEATH.**



- On a level surface, always travel with the platform end leading the way.
- Watch for obstructions around machine and overhead.
- Check travel path for persons, holes, bumps, drop-offs, obstructions, debris, and coverings which may conceal other hazards.
- Before placing machine on floors, trucks and other surfaces, check allowable capacity of surfaces.



- Two persons are required on slopes up to 5°. A forklift must be used when moving units on slopes greater than 5°.
- Always travel up or down a slope with the platform end of the machine positioned towards the low side of the slope. the operator and assistant must walk beside to guide the machine.
- Never position the unit sideways on a slope.

- Do not elevate the platform or move the machine on a soft surface.
- Use caution and check clearances when moving machine in restricted or close quarters.
- Always use an assistant when moving machine in areas where vision is obstructed.
- Keep non-operating personnel at least 6 feet (1.8 m) away from machine during moving operations.

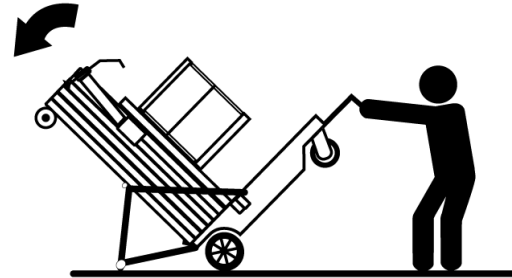
## SECTION 1 - SAFETY PRECAUTIONS

---

### Tilt Back Procedure

*(AM38 Machines Only)*

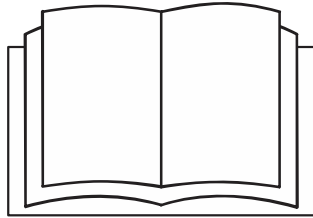
- The platform must be completely empty of tools and debris.
- Ensure platform is fully lowered. Remove and stow outriggers.
- Tilt machine back only on a flat, firm and level surface.



## **1.3 PRE-OPERATION**

### **General**

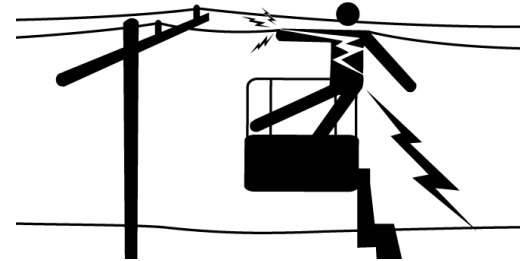
- Read, understand, and study the Operation and Safety Manual in its entirety before operating the machine. For clarification, questions, or additional information regarding any portions of this manual, contact JLG Industries, Inc.



- Only personnel who have received proper training regarding the inspection, application and operation of MEWPs (including recognition and avoiding hazards associated with their operation) shall be authorized to operate a MEWP.
- Only properly trained personnel who have received unit-specific familiarization shall operate a MEWP. The user shall determine if personnel are qualified to operate the MEWP prior to operation.

- Before operation check work area for machine traffic such as forklifts, cranes, and other construction equipment.
- Set-up machine for operation only on a smooth, firm surface on which the machine is capable of being leveled.
- Be sure that operators of other overhead and floor level machines are aware of the MEWP's presence. Disconnect power to overhead cranes.
- The operator is to take safety measures to avoid all hazards in the work area prior to machine operation.
- Do not operate this machine until it has been serviced and maintained according to requirements specified in the Service and Maintenance manual.
- Do not operate this machine until the inspections and functional checks as specified in Section 2 of this manual have been performed.
- Approved head gear must be worn by all operating and ground personnel.
- Read, understand, and obey all DANGERS, WARNINGS, CAUTIONS, and operating instructions on the machine and in this manual.
- All operating personnel must be familiar with emergency controls and emergency operation of the machine as specified in this manual.

**Electrocution Hazard**



**Table 1-1. Minimum Approach Distance (M.A.D.)**

VOLTAGE RANGE (PHASE TO PHASE)	MINIMUM APPROACH DISTANCE - Feet (m)
0-50KV	10 (3)
Over 50KV to 200KV	15 (5)
Over 200KV to 350KV	20 (6)
Over 350KV to 500KV	25 (8)
Over 500KV to 750KV	35 (11)
Over 750KV to 1000KV	45 (14)
<b>NOTE:</b> <i>This Minimum Approach Distance shall apply except where employer, local, or governmental regulations are more stringent.</i>	

- Warn personnel not to work, stand, or walk under a raised platform. Position barricades on floor, if necessary.
- Be sure all safety devices are operating properly. Modification of these devices is a safety violation.
- Never operate machine in high wind, rain or snow.
- Do not operate or raise the platform while on trucks, trailers, railway cars, floating vessels, scaffolds or other equipment unless approved by JLG.



Maintain a clearance of at least 10 ft (3m) between any part of the machine and its occupants, their tools, and their equipment from any electrical line or apparatus carrying up to 50,000 volts. One foot (0.3m) additional clearance is required for every additional 30,000 volts or less.

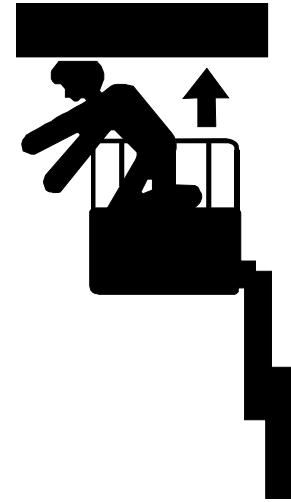
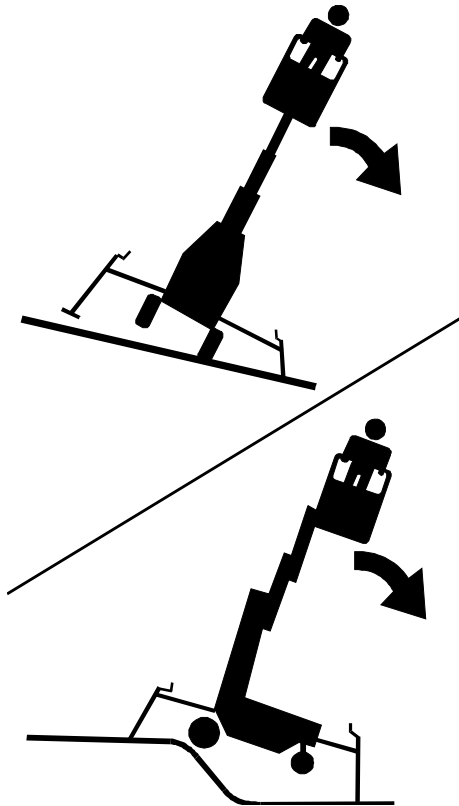
The minimum approach distance may be reduced if insulating barriers are installed to prevent contact, and if the barriers are rated for the voltage of the line being guarded. These barriers shall not be part of (*or attached to*) the machine. The minimum approach distance shall be reduced to a distance within the designed working dimensions of the insulating barrier. This determination shall be made by a qualified person in accordance with employer, local, or governmental requirements for work practices near energized equipment.

### 1.4 OPERATION

- Do not operate any machine on which instruction placards or decals are missing or illegible.
- Never exceed the maximum platform capacity.
- Operate AC units with an extension cord rated at a minimum of 15 amps.
- Prior to entering the platform ensure all leveling jacks have been properly installed and the unit's base frame is level according to the bubble leveling indicator on base frame, and all wheels are completely off the ground.
- While operating the machine, always look in the direction of machine movement.
- Never operate a machine that is not operating properly. If a malfunction occurs, shut down the machine.
- When applicable by reason of local regulations or job-site/ employer safety rules, personnel in the platform shall at all times wear approved fall protection devices. The authorized lanyard attachment is on the side of the machine's mast.

## SECTION 1 - SAFETY PRECAUTIONS

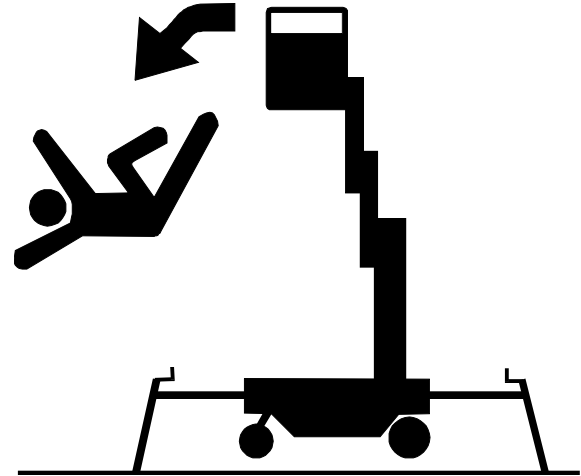
---



- Check work area for clearance overhead, on sides, and bottom of platform when lifting and lowering platform.
- Never use the mast assembly to enter or leave the platform.
- Do not increase the platform size with unauthorized deck extensions or attachments, increasing the area exposed to wind will decrease stability.

## SECTION 1 - SAFETY PRECAUTIONS

- Never attempt to use the machine as a crane. Do not tie-off machine to any adjacent structure. Never attach wire, cable, or any similar items to platform
  - Platform to structure transfers at elevated positions are discouraged. Where transfer is necessary, enter and exit through the gate only with the platform within 1 foot (0.3 m) of the adjacent safe and secure structure. 100% tie-off is also required in this situation using (2) lanyards. One lanyard must be attached to the platform, the second lanyard attached to the structure. The lanyard connected to the platform must not be disconnected until the transfer to the structure is complete.
  - Do not allow personnel to tamper with, or operate the machine from the ground with personnel in the platform, except in an emergency.
  - During operation, keep all body parts inside platform railing.
  - Never position ladders, steps, or similar items on unit to provide additional reach for any purpose.
  - When working from platform both feet must be firmly positioned on deck.
  - Do not perform work that will subject unit to a horizontal force or create a swaying motion of the platform.
- Always ensure that power tools are properly stowed and never left hanging by their cord from the platform work area.
  - Avoid any build up of debris on the platform floor. keep mud, oil, grease and other slippery substances from footwear and platform floor.



- Do not operate machine from platform without the gate in place and properly closed.

### 1.5 MAINTENANCE SAFETY PRECAUTIONS

#### **WARNING**

**FAILURE TO COMPLY WITH SAFETY PRECAUTIONS LISTED IN THIS SECTION COULD RESULT IN MACHINE DAMAGE, PERSONNEL INJURY OR DEATH AND IS A SAFETY VIOLATION.**

- Remove all rings, watches, and jewelry when performing any maintenance.
- Do not wear long hair unrestrained, or loose fitting clothing and neckties which are apt to become caught on or entangled in equipment.
- Observe and obey all danger, warning, caution and other instructions on machine.
- Keep standing surfaces and hand holds free of oil, grease, water, etc.
- Never work under an elevated platform until platform has been safely restrained from any movement by blocking or overhead sling.
- Before making adjustments, lubricating or performing any other maintenance, shut off all power controls.
- Battery should always be disconnected during replacement of electrical components.
- Keep all support equipment and attachments stowed in their proper place.
- Use only approved, nonflammable cleaning solvents.

## **SECTION 2. USER RESPONSIBILITIES, MACHINE PREPARATION, AND INSPECTION**

### **2.1 PERSONNEL TRAINING**

The Mobile Elevating Work Platform (MEWP) is a personnel handling device; so it is necessary that it be operated and maintained only by trained personnel.

Persons under the influence of drugs or alcohol or who are subject to seizures, dizziness or loss of physical control must not operate this machine.

#### **Operator Training**

Operator training must cover:

- 1.** Reading and understanding the Operation and Safety Manual.
- 2.** Thorough understanding of the intended purpose and function of the MEWP controls, including platform, ground, and emergency descent controls.
- 3.** Control labels, instructions, and warnings on the machine.
- 4.** Applicable regulations, standards, and safety rules.
- 5.** Use of approved fall protection equipment.

- 6.** Enough knowledge of the mechanical operation of the machine to recognize a malfunction or potential malfunction.
- 7.** The safest means to operate the machine where overhead obstructions, other moving equipment, and obstacles, depressions, holes, and drop-offs exist.
- 8.** Selection of the appropriate MEWP and available options for the work to be performed considering specific job requirements, with involvement from the MEWP owner, user, and/or supervisor.
- 9.** The responsibility of the operator to ensure all platform occupants have a basic level of knowledge to work safely on the MEWP, and to inform them of applicable regulations, standards, and safety rules.
- 10.** The requirement for familiarization in addition to training.

## **SECTION 2 - USER RESPONSIBILITIES, MACHINE PREPARATION, AND INSPECTION**

---

### **Training Supervision**

Training must be delivered by a qualified person in an open area, free of hazards until the trainee has demonstrated the ability to safely control and operate the machine.

### **Operator Responsibility**

The operator must be instructed that he/she has the responsibility and authority to shut down the machine in case of a malfunction or other unsafe condition of either the machine or the job site.

### **Machine Familiarization**

**NOTE:** *Responsibilities for familiarization may vary by region.*

Only properly trained personnel who have received unit-specific familiarization shall operate a MEWP. The user shall determine if personnel are qualified to operate the MEWP prior to operation. The user shall ensure that after familiarization, the operator operates the MEWP for a sufficient period of time to achieve proficiency. When authorized by the user, self-familiarization can be achieved, if authorized, by a properly trained operator reading, understanding and following the manufacturer's operator's manual.

Prior to users authorization of an operator to use a specific model of MEWP, the user shall ensure the operator is familiarized on the following:

1. Location of the manual storage compartment and the requirement to ensure the required manual(s) are present on the MEWP;
2. Purpose and function of the machine controls and indicators at the platform and ground control stations;
3. Purpose, location, and function of the emergency controls;
4. Operating characteristics and limitations;
5. Features and devices;
6. Accessories and optional equipment.

## **2.2 PREPARATION, INSPECTION, AND MAINTENANCE**

The following table covers the periodic machine inspections and maintenance recommended by JLG Industries, Inc. Consult local regulations for further requirements for MEWPs. Frequency of inspections and maintenance must be increased as necessary when machine is used in a harsh or hostile environment, if machine is used with increased frequency, or if machine is used in a severe manner.

## SECTION 2 - USER RESPONSIBILITIES, MACHINE PREPARATION, AND INSPECTION

**Table 2-1. Inspection and Maintenance Table**

TYPE	FREQUENCY	PRIMARY RESPONSIBILITY	SERVICE QUALIFICATION	REFERENCE
Pre-Start Inspection	Before using each day; or whenever there's an Operator change.	User or Operator	User or Operator	Operator and Safety Manual
Pre-Delivery Inspection <i>(See Note Below)</i>	Before each sale, lease, or rental delivery.	Owner, Dealer, or User	Qualified JLG Mechanic	Service and Maintenance Manual and applicable JLG inspection form
Frequent Inspection	In service for 3 months or 150 hours, whichever comes first; or Out of service for a period of more than 3 months; or Purchased used.	Owner, Dealer, or User	Qualified JLG Mechanic	Service and Maintenance Manual and applicable JLG inspection form
Annual Machine Inspection	Annually, no later than 13 months from the date of prior inspection.	Owner, Dealer, or User	Factory-Trained Service Technician <i>(Recommended)</i>	Service and Maintenance Manual and applicable JLG inspection form
Preventative Maintenance	At intervals as specified in the Service and Maintenance Manual.	Owner, Dealer, or User	Qualified JLG Mechanic	Service and Maintenance Manual

**NOTE:** Inspection forms are available from JLG. Use the Service and Maintenance Manual to perform inspections.

### NOTICE

**JLG INDUSTRIES, INC. RECOGNIZES A FACTORY TRAINED SERVICE TECHNICIAN AS A PERSON WHO HAS SUCCESSFULLY COMPLETED THE JLG SERVICE TRAINING SCHOOL FOR THE SPECIFIC JLG PRODUCT MODEL.**

### 2.3 PRE-START INSPECTION

The Pre-Start Inspection should include each of the following:

1. **Cleanliness** – Check all surfaces for leakage (oil, fuel, or battery fluid) or foreign objects. Report any leakage to the proper maintenance personnel.
2. **Decals and Placards** – Check all for cleanliness and legibility. Make sure none of the decals and placards are missing. Make sure all illegible decals and placards are cleaned or replaced.
3. **Operators and Safety Manuals** – Make sure a copy of the Operator and Safety Manual, AEM Safety Manual (ANSI Markets Only), and ANSI Manual of Responsibilities (ANSI Markets Only) is enclosed in the weather resistant storage container.
4. **Walk-Around Inspection** – Refer to Figure 2-1. on page 2-7.
5. **Battery** – Charge as required.
6. **Fuel** – (*Combustion Engine Powered Machines Only*) – Add proper fuel as necessary.
7. **Hydraulic Oil** – Check hydraulic oil level. Add hydraulic oil as required.
8. **Function Check** – Once “Walk-Around” Inspection is complete, perform a function check of all systems in an area free of overhead and ground level obstructions. Refer to Section 3 for specific instructions.

#### **WARNING**

**IF MACHINE DOES NOT OPERATE PROPERLY, TURN OFF MACHINE IMMEDIATELY! REPORT PROBLEM TO PROPER MAINTENANCE PERSONNEL. DO NOT OPERATE MACHINE UNTIL IT IS DECLARED SAFE FOR OPERATION.**



### 2.4 FUNCTION CHECK

The function check of all systems should be performed in an area free of overhead and ground level obstructions. Perform a function check as follows:

1. Set-up machine for operation according to instructions in Section 3. Install outriggers, level machine, make sure all wheels are off the ground, etc.
2. Enter platform, raise and lower platform 2 ft to 3 ft (.61m to .92 m) several times. Check for smooth elevation and lowering of platform.
3. With platform completely lowered, check hydraulic oil level in reservoir at ground control station. Maintain an oil level to "Fill to Line" indicator on side of reservoir. NEVER USE HYDRAULIC BRAKE FLUID.

### 2.5 DAILY WALK-AROUND INSPECTION

#### General

Begin Walk-Around Inspection at item 1 (See Figure 2-1. on page 2-7). Continue around machine checking each item in this check list.

#### CAUTION

**TO AVOID POSSIBLE INJURY, BE SURE MACHINE POWER IS OFF DURING WALK-AROUND INSPECTION.**

#### NOTICE

**DO NOT OVERLOOK VISUAL INSPECTION OF CHASSIS UNDERSIDE. CHECKING THIS AREA MAY RESULT IN DISCOVERY OF CONDITIONS WHICH COULD CAUSE EXTENSIVE MACHINE DAMAGE.**

**NOTE:** *On each item, make sure there are no loose or missing parts. That they are securely fastened and that no visible damage exists in addition to any other criteria mentioned.*

1. **Front Caster Wheels** - Properly secured, wheels and casters turn freely. Brakes lock and release - prevent wheels from rolling when locked.
2. **Rear Wheels** - Properly secured. Wheels turn freely.
3. **Tiltback Wheels** - Properly secured. Wheels turn freely.

## **SECTION 2 - USER RESPONSIBILITIES, MACHINE PREPARATION, AND INSPECTION**

---

4. **Base Frame** - Components properly secured, no loose wires dangling below base; bubble level in place and functioning properly.
5. **Tilt Back Assembly** - (*38AM Models Only*) Properly secured; no parts missing i.e.. safety pins, gas spring cylinder(s), caster wheels, etc.
6. **Battery/Charger Box Assembly** - (*DC Voltage Machines*) Proper battery electrolyte level, no cable corrosion. Battery box pivots freely when machine is tilted for transporting.
7. **Outrigger Interlock Indicator LED's** - See note above.
8. **Outrigger Sockets** - Outrigger lock/release pins in place and secure, no visible damage. Outrigger interlock contacts (*inside outrigger sockets*) secure and clean.
9. **Outrigger Beams** - Outrigger interlock contacts properly installed and clean (on bottom of outrigger assembly). Leveling jacks secure to the outrigger assembly, lubricated and functioning properly.
10. **Motor/Pump/Reservoir Power Unit** - No evidence of hydraulic leaks. Check that hydraulic reservoir fluid level is filled to the "Fill to Line" mark on the side of the reservoir.
11. **Manual Release Control Valve** - See note above.
12. **Ground Controls** - Key switch operable, placards secure and legible; emergency stop switch, properly set for operation.
13. **Mast Assembly** - Inspect mast chains or cables as per note above.
14. **Platform Rail Installation** - Entry gate/bar in proper working order.
15. **Platform Assembly** - Secure to mast; Control and power cables properly tensioned and seated in control cable sheaves; control cable sheaves rotate freely.
16. **Platform Controls** - Placards secure and legible, emergency shut-off button set for operation. Operators manual enclosed in manual storage tube.

## SECTION 2 - USER RESPONSIBILITIES, MACHINE PREPARATION, AND INSPECTION

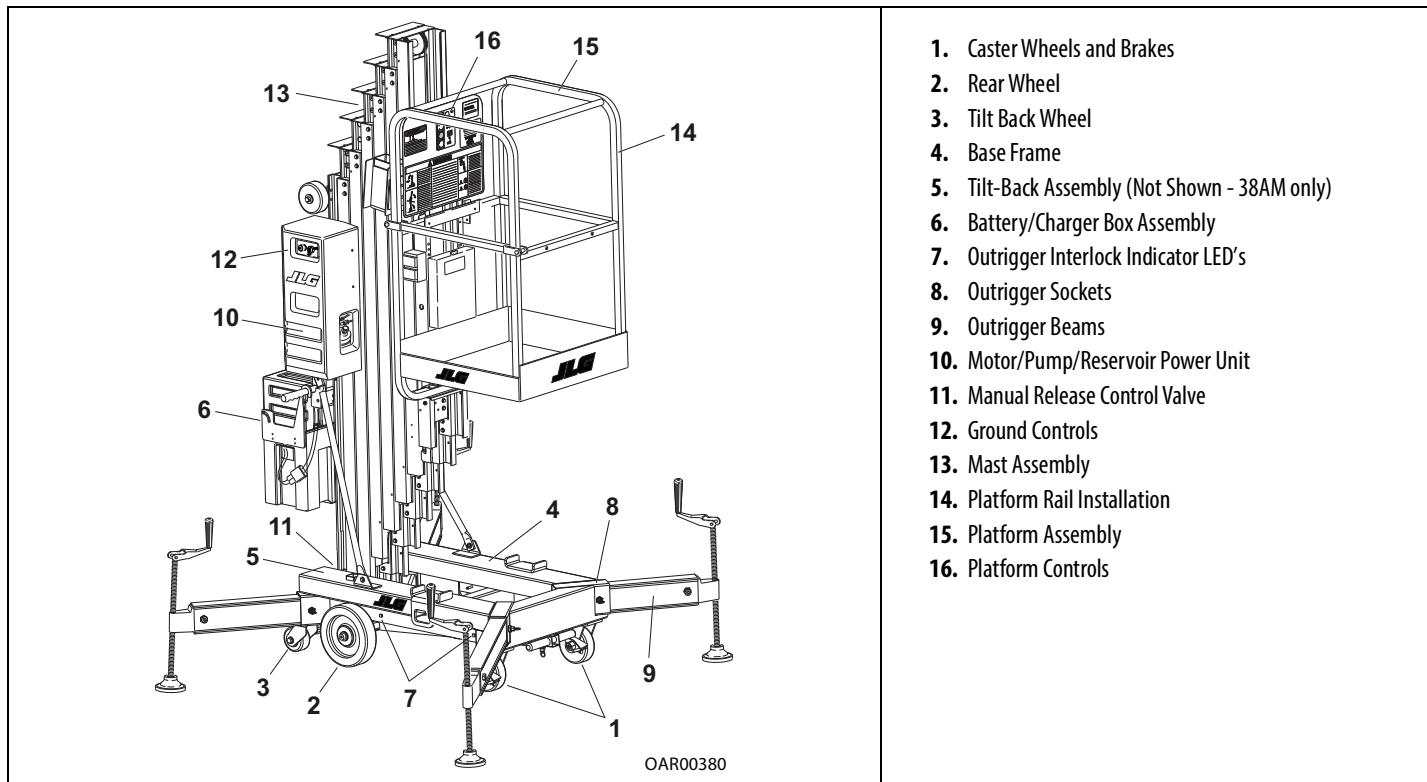


Figure 2-1. Daily Walk-Around inspection

**SECTION 2 - USER RESPONSIBILITIES, MACHINE PREPARATION, AND INSPECTION**

---

## SECTION 3. MACHINE CONTROLS AND INDICATORS

### 3.1 GENERAL

#### NOTICE

**THE MANUFACTURER HAS NO DIRECT CONTROL OVER MACHINE APPLICATION AND OPERATION. THE USER AND OPERATOR ARE RESPONSIBLE FOR CONFORMING WITH GOOD SAFETY PRACTICES.**

This section provides the necessary information needed to understand control functions.

### 3.2 CONTROLS AND INDICATORS

#### Ground Control Station

*(See Figure 3-1.)*

**NOTE:** *For overnight parking or battery charging, be sure the POWER ON/OFF KEY SWITCH is positioned to OFF to prevent battery drain.*

**1. POWER ON/OFF Key Switch**

A key switch located on the ground control station controls power to all functions on the machine.

**2. POWER/EMERGENCY STOP**

The two position switch allows power to the platform and ground controls when RESET (ON). When pushed in (OFF), power is shut off to the platform and ground controls.

**3. RAISE/LOWER SWITCH**

The two position switch allows the platform to be raised or lowered.

**4. HYDRAULIC RESERVOIR / CIRCUIT BREAKER / FUSE**  
*(located inside the ground control station housing)*

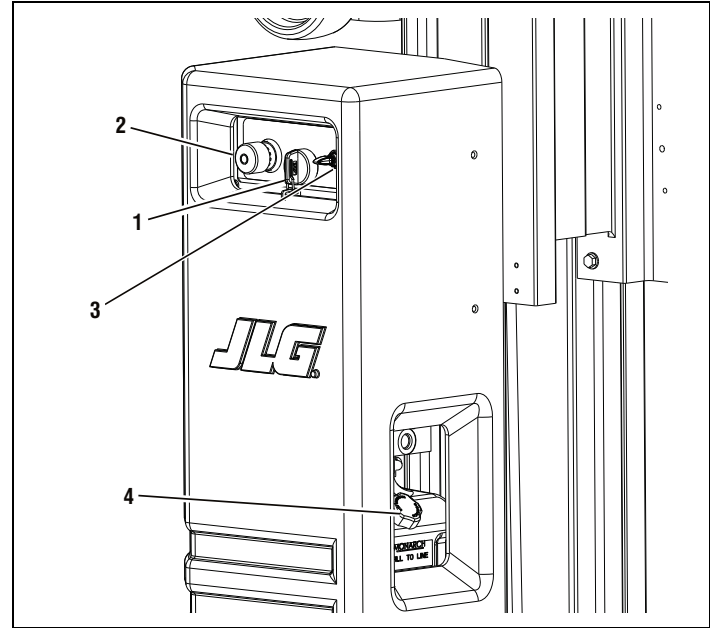
The hydraulic oil level can be checked through an access hole in the side of the cover.

## SECTION 3 - MACHINE CONTROLS AND INDICATORS

**NOTE:** Check hydraulic oil only when platform is completely lowered and after cycling platform up/down a few times.

A 20 amp reset type circuit breaker is located on the cover of the electrical box on AM-AC Models.

On AM-DC Models, a 5 Amp fuse is located inside the ground control station cover.



**Figure 3-1. Ground Control Station.**

1. Power ON/OFF Key
2. Power/Emergency Stop
3. Raise/Lower Switch
4. Hydraulic Reservoir/Circuit Breaker/Fuse

### Manual Descent Valve

(See Figure 3-2.)

Located at the rear and bottom of the base frame. This pull to release - spring loaded return valve (RED Knob), allows for lowering of the platform in an emergency or power failure.

### Platform Control Station

(See Figure 3-3.)

#### 1. POWER/EMERGENCY STOP

A two position mushroomed shaped switch furnishes power to the platform and ground controls when RESET (ON). When pushed in (OFF), power is shut off to the platform and ground controls.

#### 2. PLATFORM UP Button.

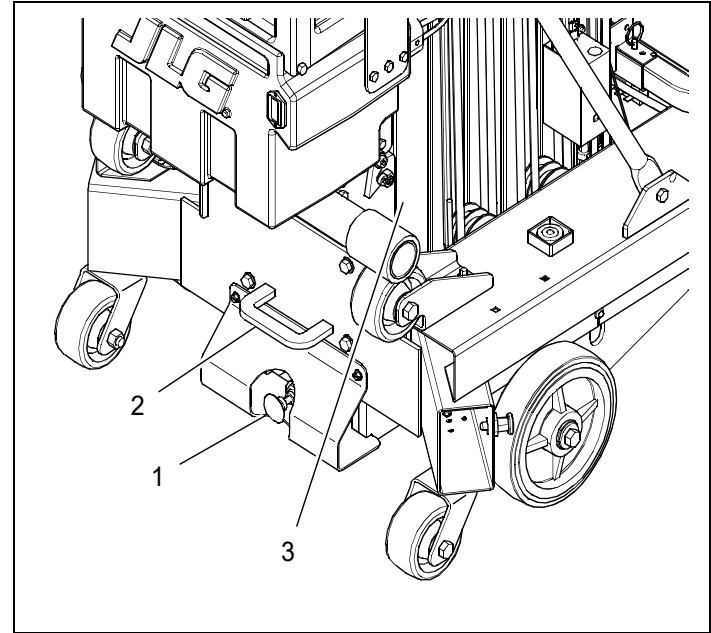
When depressed simultaneously with ENABLE button raises the platform.

#### 3. FUNCTION ENABLE Button.

This (GREEN) button must be depressed for machine to operate.

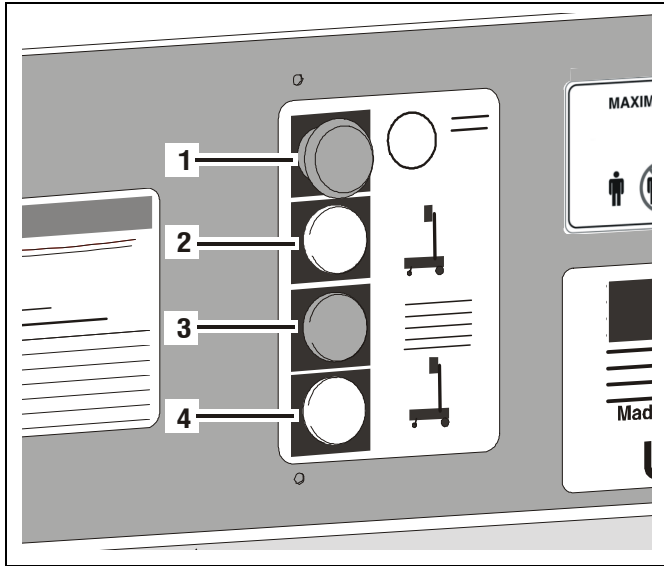
#### 4. PLATFORM DOWN Button.

When depressed simultaneously with ENABLE button lowers the platform.



**Figure 3-2. Manual Descent Valve Location.**

1. Manual Descent Valve
2. Tie-Down Lugs
3. Mast



**Figure 3-3. Platform Control Station.**

1. Emergency Stop (RED)
2. Platform UP (WHITE)
3. Function Enable (GREEN)
4. Platform DOWN (WHITE)



3.3 DECAL INSTALLATIONS

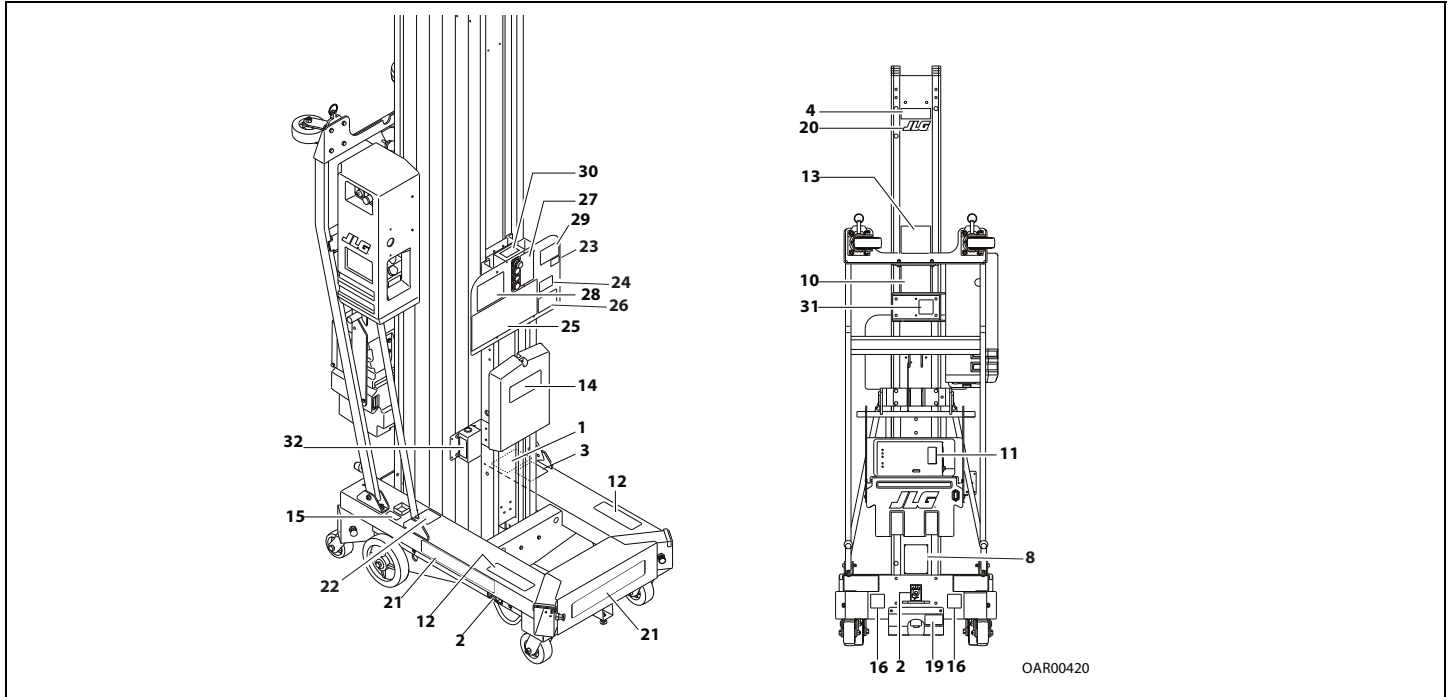


Figure 3-4. Decal Installation. (ANSI/CSA)

## SECTION 3 - MACHINE CONTROLS AND INDICATORS

**Table 3-1. Decal Installation Chart (ANSI and CSA) (See Figure 3-4.)**

Item	ANSI	ANSI (LAT)	ANSI (BRZ)	ANSI (JPN)	ANSI (CHI - SIMP)	ANSI (CHI - TRAD)	CSA (FRE)
1	1001131273						1001131273
2	1702300						
3	Bar Code - Not Available						
4	Model Designation - 25AM-1703903 / 30AM-1703904 / 38AM-1001256057						
5	Not Used						
6	Not Used						
7	Not Used						
8	Serial Number Plate - Not Available						
9	Not Used						
10	1703784	1704030	1704022	1704088	1704078	1706696	1703784
11	1703785	1704031	1704023	1704089	1704079	1706697	1703785
12	1703786	1704032	1704024	1704090	1704081		1703786
13 <sup>(3)</sup>	1703787	1704033	1704025	1704091	1704082	1706695	1703787
14	1701509						
15	1703789	1704034	1704026	1704092	1704083	1706699	1703789
16	1703817						
17	Not Used						
18	Not Used						
19	1001115864						
20	1703681 - JLG Logo						
21	1001126700 - Manlift						

## SECTION 3 - MACHINE CONTROLS AND INDICATORS

**Table 3-1. Decal Installation Chart (ANSI and CSA) (See Figure 3-4.)**

Item	ANSI	ANSI (LAT)	ANSI (BRZ)	ANSI (JPN)	ANSI (CHI - SIMP)	ANSI (CHI - TRAD)	CSA (FRE)
22	1001223055	1001224049	1001224049	1001224053	1001224051	1001224050	1001223971
23	1001228370						1001228370
24	1001231801						
25	1703778	1704027	1704019	1704084	1704075	1706692	1703778
26	1703779						
27	1703780	1704028	1704020	1704085	1704076	1706693	1703780
28	1703781	1704029	1704021	1704086	1704077	1706694	1703781
29 <sup>(1)</sup>	1001256055						
29 <sup>(2)</sup>	1001256056						
30	1703994						
31	1001110242 - JLG Service						
32	Voltage Options: 3252761-120V AC / 3252760-220V-240V AC						
<p><b>NOTE:</b> (1) - 30AM/38AM Only            (2) - 25AM Only            (3) - Installed on 38AM machines with tiltback option only.</p>							

## SECTION 3 - MACHINE CONTROLS AND INDICATORS

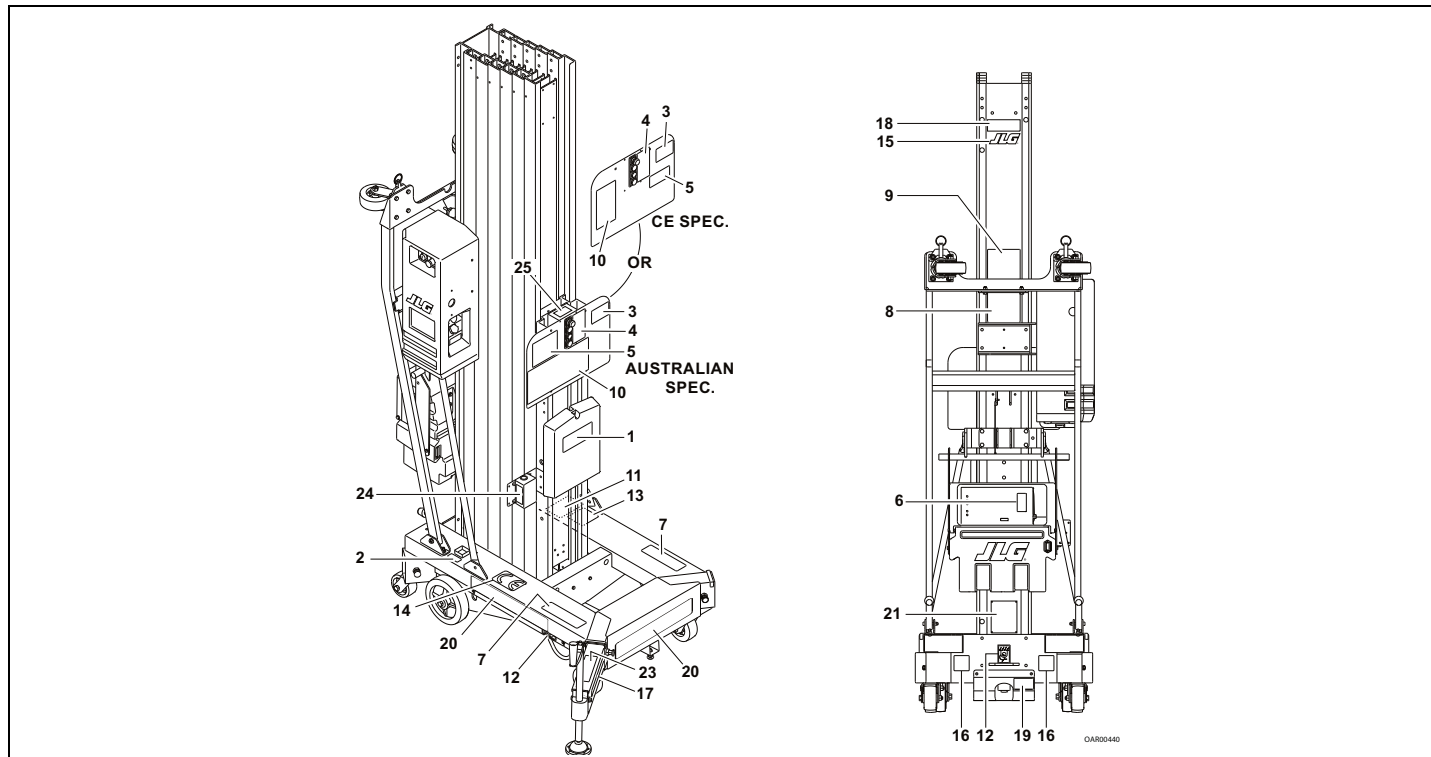


Figure 3-5. Decal Installation (CE and AUS)

**Table 3-2. Decal Installation Chart (CE and AUS Specification) (See Figure 3-5.)**

<b>Item</b>	<b>CE (ENG)</b>	<b>CE (DUT)</b>	<b>CE (FRE)</b>	<b>CE (GER)</b>	<b>CE (ITA)</b>	<b>CE (SPA)</b>	<b>(AUS)</b>
<b>1</b>	1701509						
<b>2</b>	Not Used						
<b>3</b>	1704094 <sup>(1)</sup> /1704095 <sup>(2)</sup>						
<b>4</b>	1705801						1703780
<b>5</b>	1702802						1703781
<b>6</b>	1705803						1703785
<b>7</b>	1705805						1703786
<b>8</b>	1705831						1703784
<b>9</b>	1001098578						1703787
<b>10</b>	1001098579						1703778
<b>11</b>	Not Used						
<b>12</b>	1702300						
<b>13</b>	Not Available - BarCode						
<b>14</b>	1702928						—
<b>15</b>	1703681						
<b>16</b>	1703817						
<b>17</b>	4410051						—

### SECTION 3 - MACHINE CONTROLS AND INDICATORS

**Table 3-2. Decal Installation Chart (CE and AUS Specification) (See Figure 3-5.)**

Item	CE (ENG)	CE (DUT)	CE (FRE)	CE (GER)	CE (ITA)	CE (SPA)	(AUS)
18	Model Designation - 25AM-1703903 / 30AM-1703904 / 38AM-1001256057						
19	1001115864						
20	1001126700						
21	Serial Number Plate - Not Available						
22	Not Used						1703789
23	Not Used						1705796
24	120V - AC - 3255761 / 220V-240V AC - 3255760						
25	1703994 (Optional)						
<b>NOTE:</b> (1) - 30AM/38AM (2) - 25AM (3) - Installed on 38AM machines with tiltback option only.							

## **SECTION 4. MACHINE OPERATION**

### **4.1 DESCRIPTION**

This machine is a manually propelled machine, with a work platform mounted to an elevating aluminum mast mechanism. The personnel lift's intended purpose is to provide personnel (*with their tools and supplies*) access to areas above ground level.

The primary operator control station is in the platform. From this control station, the operator can raise and lower the platform. A ground control station is provided to lower the platform to the ground in an emergency if the operator in the platform is unable to do so, or if a power failure should occur.

Vibrations emitted by these machines are not hazardous to an operator in the work platform. The equivalent continuous A-Weighted sound pressure level at the work platform is less than 70dB(A).

### **4.2 OPERATING CHARACTERISTICS AND LIMITATIONS**

#### **Capacities**

The platform can be raised above the stowed position if:

- The machine is positioned on a smooth, firm surface on which the machine is capable of being leveled.
- Load is within manufacturer's rated capacity.
- All machine systems are functioning properly.
- The machine is leveled and outriggers are properly installed as indicated by the outrigger interlock LED lights on the base frame.

## SECTION 4 - MACHINE OPERATION

### 4.3 BATTERY CHARGING & MAINTENANCE - (DC MODELS ONLY)

AM-DC Models are equipped with a 12 volt, 10 amp output - dual voltage (120/240V) input battery charger. The charger is microprocessor controlled featuring an automatic charge sensing circuit which can determine cell voltage and regulate charger output and terminate charging as required.

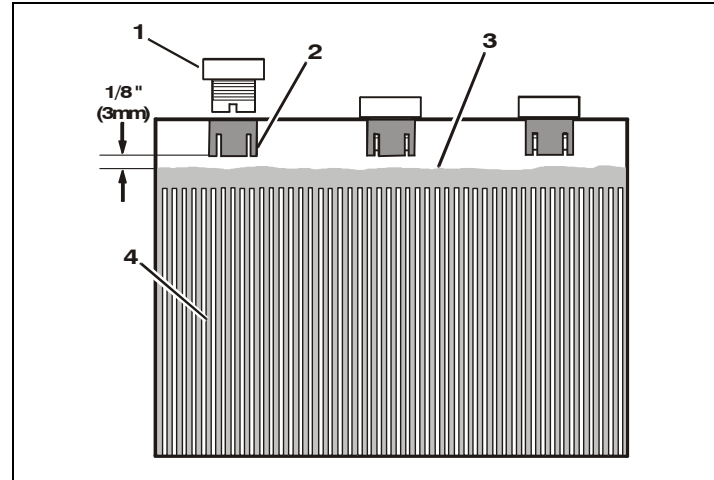
#### Battery Maintenance and Safety

**BATTERY ACID IS HIGHLY CORROSIVE. AVOID CONTACT WITH SKIN AND CLOTHING AT ALL TIMES.**

**BATTERY ACID RELEASES AN EXPLOSIVE GAS WHILE CHARGING, ALLOW NO OPEN FLAMES, SPARKS OR LIGHTED TOBACCO PRODUCTS IN THE AREA WHILE CHARGING BATTERIES. CHARGE BATTERIES ONLY IN A WELL VENTILATED AREA.**

**ADD ONLY DISTILLED WATER TO BATTERIES. WHEN ADDING DISTILLED WATER TO THE BATTERIES, A NON-METALLIC CONTAINER AND/OR FUNNEL MUST BE USED.**

The battery fluid level should be approximately 1/8" (3mm) below vent tubes. (See Figure 4-1.)



**Figure 4-1. Battery Fluid Level.**

- |                       |                |
|-----------------------|----------------|
| 1. Battery Filler Cap | 3. Fluid Level |
| 2. Vent Tube          | 4. Cell Plates |

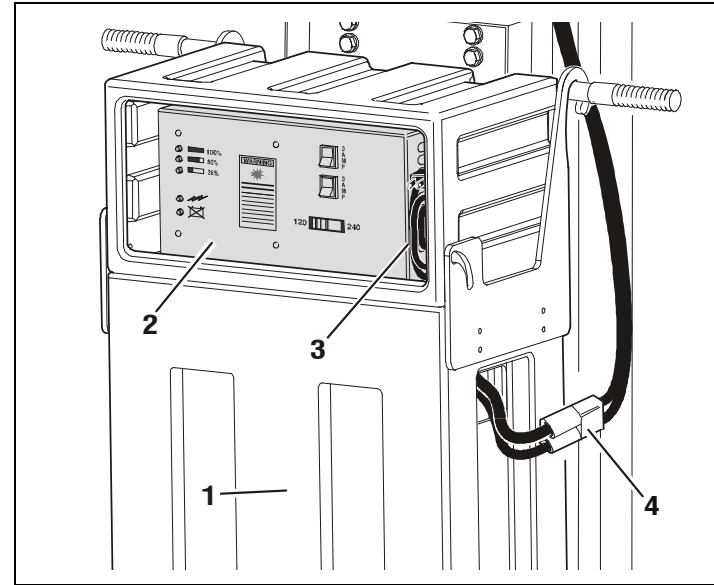


## Battery Charger Operation

### NOTICE

**ALWAYS CHECK THE VOLTAGE SELECT SWITCH ON THE FACE OF THE BATTERY CHARGER BEFORE OPERATION. IF NOT SET TO THE PROPER AC POWER INPUT VOLTAGE, THE CHARGER MAY BE DAMAGED.**

1. Turn the ground control key switch to the OFF position.
2. Set the AC voltage switch on the face of the charger for the local AC line voltage.
3. Plug the battery charger AC power cable, stowed inside the battery/charger carrier (*beside charger*) into a properly grounded receptacle. Use a suitable extension cord, if necessary.
4. The charger runs through a self-diagnostic check. The LED's on the face of the charger flash in the following sequence;
  - a. First all five (5) LED's flash three (3) times.
  - b. Next each LED lights in sequence.
  - c. Finally all five (5) LED's flash three (3) times again.
5. When ready to charge, the CHARGER ON LED and the INCOMPLETE CHARGE (25%) LED on the front panel of the charger will light up, the charger will then begin to charge the batteries.



**Figure 4-2. Battery Box and Charger Assembly.  
(D.C. Model Only)**

- |                                 |   |
|---------------------------------|---|
| 1. Battery Box/Charger Assembly | 3. Charger AC Power Cord                        |
| 2. DC Battery Charger           | 4. DC - Battery to Machine Main Power Connector |

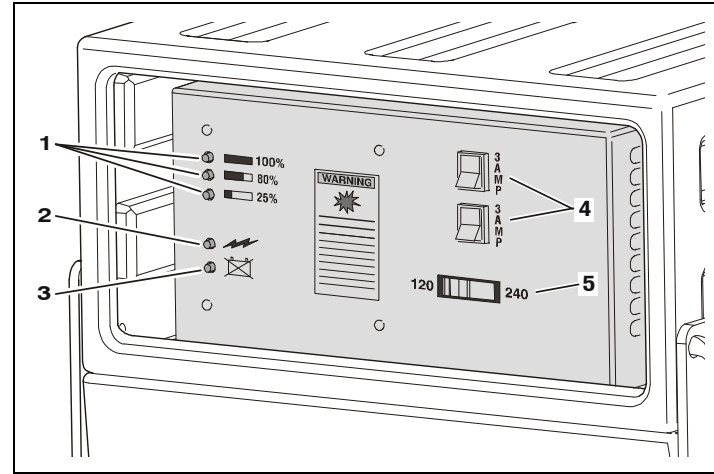
## SECTION 4 - MACHINE OPERATION

- When the battery cell voltage reaches 2.37 V/cell the 80% CHARGE LED will light up. The charger then continues to monitor the increase in charge until it sees no increase, and then terminates the charging process.
- The CHARGE COMPLETE (100%) LED will light when the batteries are fully charged.
- Unplug the charger AC power cord and stow the cord.

### Abnormal Cycle Indicator LED

The ABNORMAL CYCLE indicator LED will light when;

- The AC input to the charger was interrupted.
- There is a dead cell or cells in the battery.
- One or more of the battery connectors are loose or corroded.



**Figure 4-3. Dual Voltage Charger - Front Panel.**

- |  |                                |
|--|--------------------------------|
| 1. % of Charge in Progress LED's (Green) | 4. Circuit AC Circuit Breakers |
| 2. Charger On LED (Green)                | 5. AC Voltage Selection Switch |
| 3. Abnormal Cycle LED (Yellow)           |                                |

## 4.4 MACHINE SET-UP AND OPERATION

To set-up machine for operation the operator must:

1. Position machine in work area.

**NOTE:** *If AC powered machine, connect machine to a grounded AC receptacle with a heavy duty extension cord equipped with an equipment grounding conductor.  
If DC powered machine, check battery box assembly is installed, battery is charged and connected to machine's DC receptacle.*

2. Set key switch to ON position at ground control station.
3. Check both emergency stop switches are in RESET position for operation.
4. Check manual decent control valve (red knob) is closed.

### **⚠ WARNING**

**APPLY FRONT CASTER BRAKES SO MACHINE DOES NOT ROLL IN ANY DIRECTION. DO NOT INSTALL OUTRIGGERS OR ELEVATE PLATFORM UNTIL FRONT CASTER BRAKES ARE LOCKED.**

5. Apply caster brakes.
6. Install outriggers.

## Caster Brake Operation

1. Press down on caster brake lever on both casters at front of machine to apply caster brakes.
2. To disengage caster brake, apply pressure or lift up on caster brake lever.

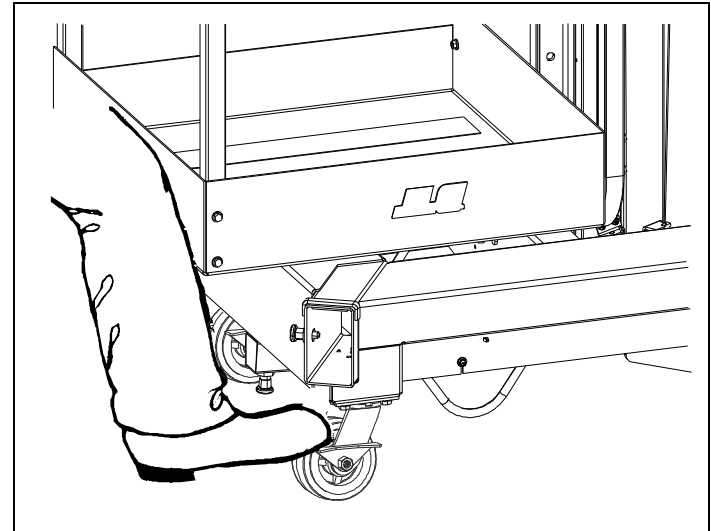


Figure 4-4. Setting & Releasing Caster Brake

### Outrigger Installation

*(See Figure 4-5. on page 4-7)*

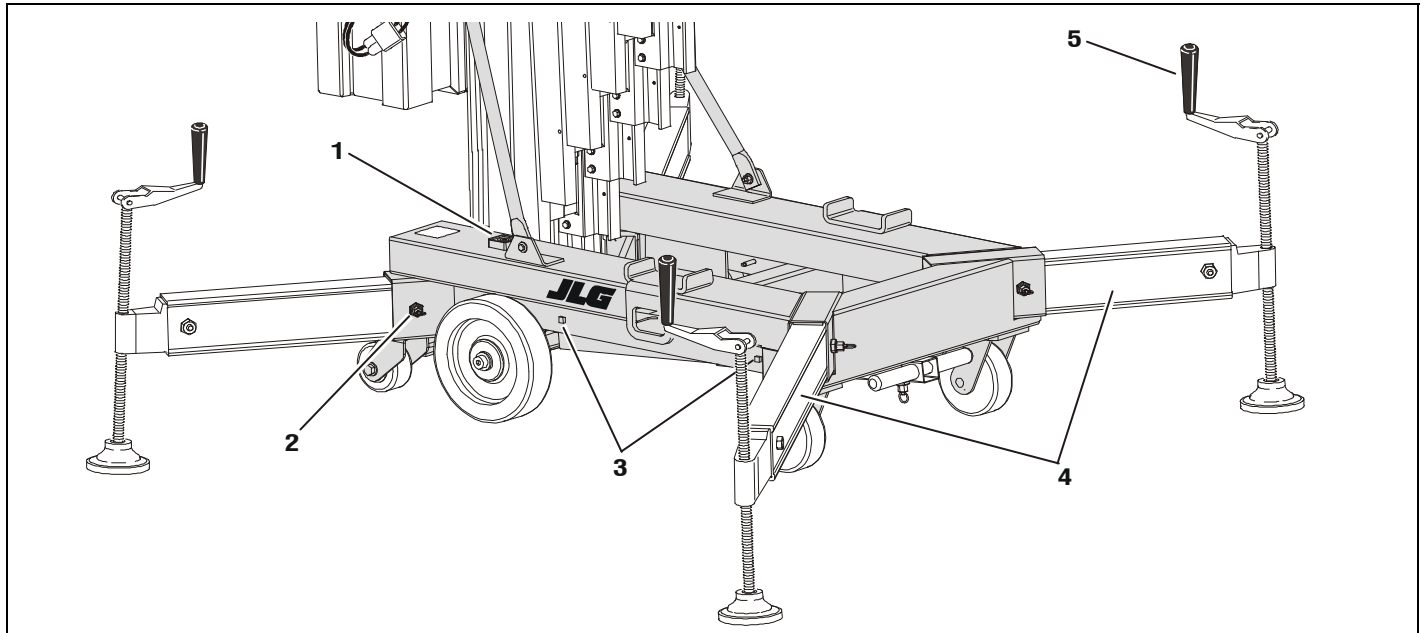
#### **NOTICE**

**AS A SAFETY PRECAUTION, DUE TO DIFFERENT LENGTHS, OUTRIGGER BEAMS ARE DESIGNED TO FIT A SPECIFIC MODEL AND ARE NOT INTERCHANGEABLE.**

1. Remove one outrigger beam from the stowage socket.
2. Insert outrigger beam into an outrigger socket on the base frame with outrigger interlock contact on the bottom. Push outrigger beam in socket until locking pin on side of outrigger socket snaps into the outrigger beam detent. Repeat for remaining outriggers.
3. With all outriggers inserted, turn each outrigger jack down, lifting entire machine until all wheels are off the ground.
4. When all four (4) wheels are off the ground, use the bubble level on the base frame to level machine.

#### **NOTICE**

**MACHINE WILL OPERATE ONLY IF ALL FOUR (4) INTERLOCK LED LIGHTS ARE ILLUMINATED.**



**Figure 4-5. Outrigger Installation.**

- |                               |                            |
|-------------------------------|----------------------------|
| 1. Bubble Level Indicator     | 4. Outrigger Beam Assembly |
| 2. Outrigger Lock/Release Pin | 5. Leveling Jack           |
| 3. Interlock LED's            |                            |

## SECTION 4 - MACHINE OPERATION

---

### Platform Loading

platform maximum rated load capacity is shown on a placard located on the platform control panel. Applies to all available AM model platforms.

Maximum capacity for each model is as follows:

**Table 4-1. Maximum Platform Capacity.**

MODEL	PLATFORM CAPACITY FOR MACHINES BUILT TO SPECIFICATION	
	ANSI	CE
25AM-DC/AC	350 lb. (160 kg)	350 lb. (160 kg)
30AM-DC/AC	300 lb. (136 kg)	300 lb. (136 kg)
38AM-DC/AC	300 lb. (136 kg)	300 lb. (136 kg)

### Platform Operation

1. Enter platform and close gate/slide bar.
2. To raise platform, press FUNCTION ENABLE button and platform UP button simultaneously. Upon reaching desired elevation level, release UP and FUNCTION ENABLE buttons.

### **WARNING**

**CHECK AREA BENEATH PLATFORM IS FREE OF PERSONNEL AND OBSTRUCTIONS PRIOR TO LOWERING PLATFORM.**

3. To lower platform, press FUNCTION ENABLE button and platform DOWN button on control panel simultaneously.

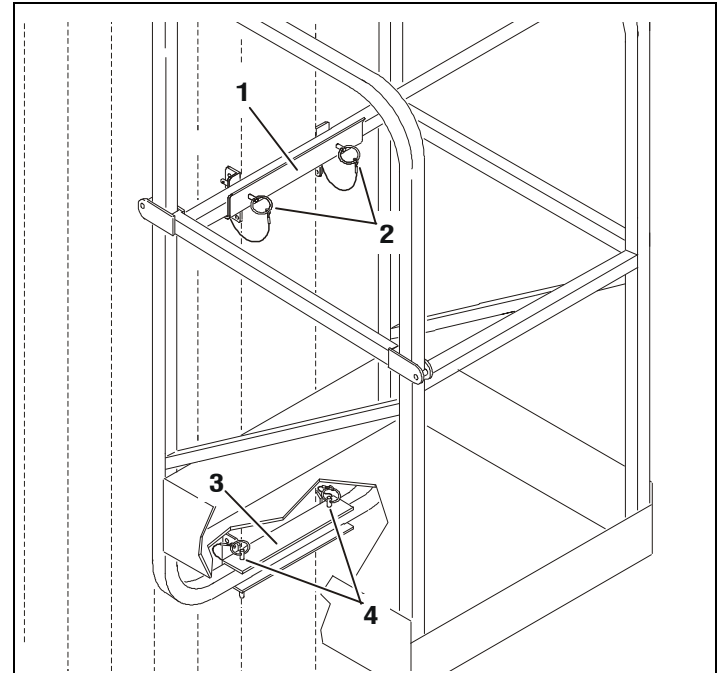
## 4.5 QUICK-CHANGE PLATFORM MOUNTS

(See Figure 4-6.)

The AM model is equipped with platform mounting for quick and simple exchange of platforms.

### Platform Removal

1. Remove both pins holding lower platform support rail to platform lower mount.
2. Remove both pins holding upper platform support rail to platform upper mount.
3. Using suitable lifting equipment or another person, swing lower platform support rail forward, away from mast to clear platform lower mount, then lift upper platform support rail up and out of platform upper mount.



**Figure 4-6. Quick Change Platform Mount.**

- |                            |                            |
|----------------------------|----------------------------|
| 1. Platform Upper Mount    | 3. Platform Lower Mount    |
| 2. Upper Mount Attach Pins | 4. Lower Mount Attach Pins |

### **Platform Installation**

1. Using two people or suitable lifting equipment, lift platform and set platform upper support rail into the upper platform mount on the mast.
2. Swing platform lower support rail into lower platform mount on the mast.
3. Secure platform support rails with two (2) platform upper mount pins, and two (2) lower platform mount pins.

### **4.6 MACHINE SHUT DOWN AND PARK**

1. Ensure platform is fully lowered, turn key switch to OFF position.
2. Store outrigger beams in stowage sockets.
3. Move machine to a well-protected and well-ventilated area. In a hostile environment, cover machine for protection.
4. Apply caster brakes and chock at least two wheels when parking machine for extended time.
5. Remove key switch to disable machine from unauthorized use.



## 4.7 TRANSPORT, LIFTING AND TIE DOWN

### General

To move machine from work area to work area the operator may:

- Push machine on its base wheels.
- Push machine in Tilt-Back mode.  
(38AM only)
- Move machine using a forklift.
- Load machine on back of a pickup truck, using the built-in load bar.

**NOTE:** 38AM machines are equipped with a permanently attached tilt-back assembly to allow machine to fit through standard size doorways.

### Transporting by Pushing

The standard machine's base frame is equipped with load bearing wheels mounted on a straight axle at the mast end of the machine; and a pair of heavy duty swivel caster wheels mounted on the frame at the platform end of the machine.



**REFER TO SECTION 1.2, TRANSPORTING SAFETY PRECAUTIONS BEFORE TRANSPORTING MACHINE.**

## SECTION 4 - MACHINE OPERATION

---

### Tilt-Back Assembly Set-up (AM38)

(See Figure 4-7., Figure 4-8. and Figure 4-9.)

#### NOTICE

**PLATFORM MUST BE FULLY LOWERED, AND OUTRIGGER BEAMS MUST BE STOWED. ON DC MODELS ENSURE BATTERY BOX/CHARGER ASSEMBLY IS NOT OBSTRUCTED AND IS CLEAR TO SWING ONCE MACHINE IS TILTED.**

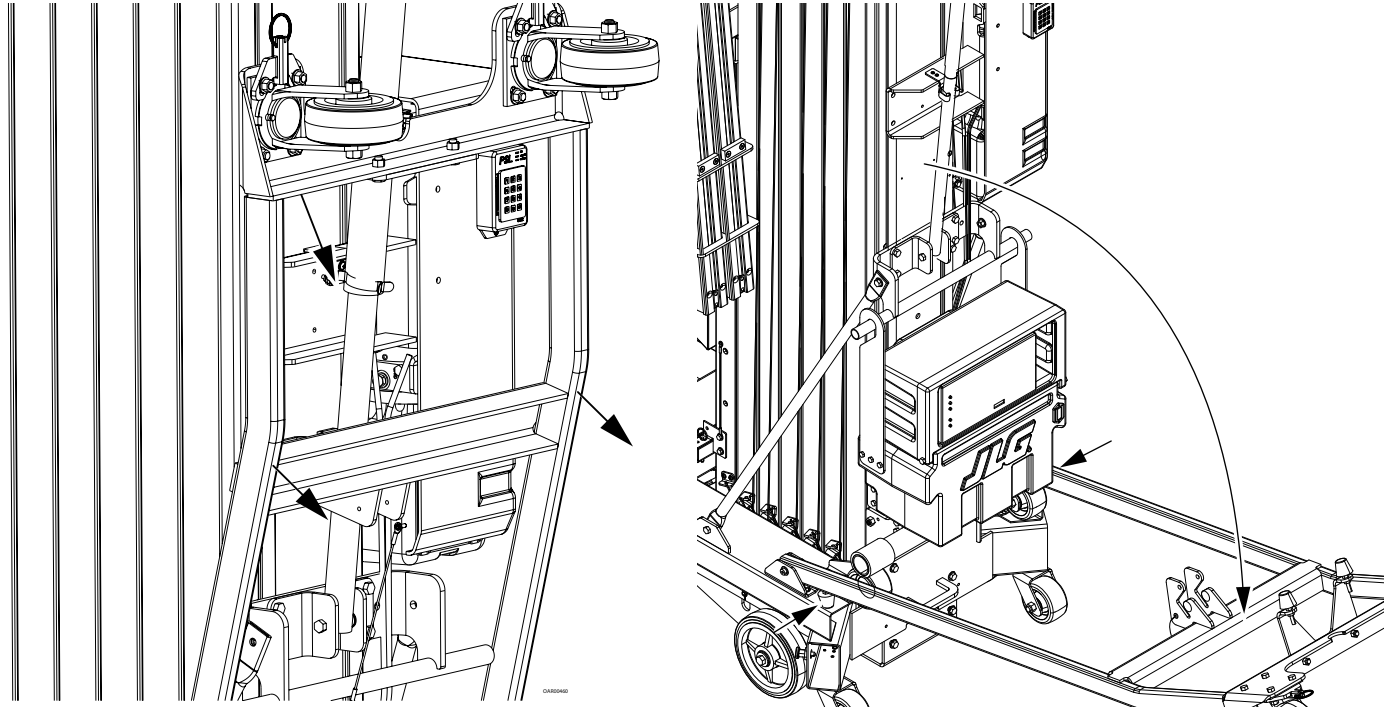
#### CAUTION

**REFER TO SECTION 1.2, TRANSPORTING SAFETY PRECAUTIONS BEFORE TRANSPORTING MACHINE.**

1. Move machine to an area that is level, clear and free of obstacles.
2. (Step 1) Hold the tilt-back assembly in place and remove the release pin securing the tilt-back assembly to the gas spring cylinder.
3. Lower the tilt-back assembly as far as it will go onto it's rubber bumpers.
4. (Step 2) Pull the gas spring cylinder out of it's retaining clip on the back of the mast assembly. Lower and extend or retract the cylinder to guide the groove pins on the end of the cylinder into the slots on the tilt-back crossbar assembly bracket. Secure the cylinder to the tilt-back crossbar bracket by replacing the pin removed in step 1 to lower the tilt-back assembly.

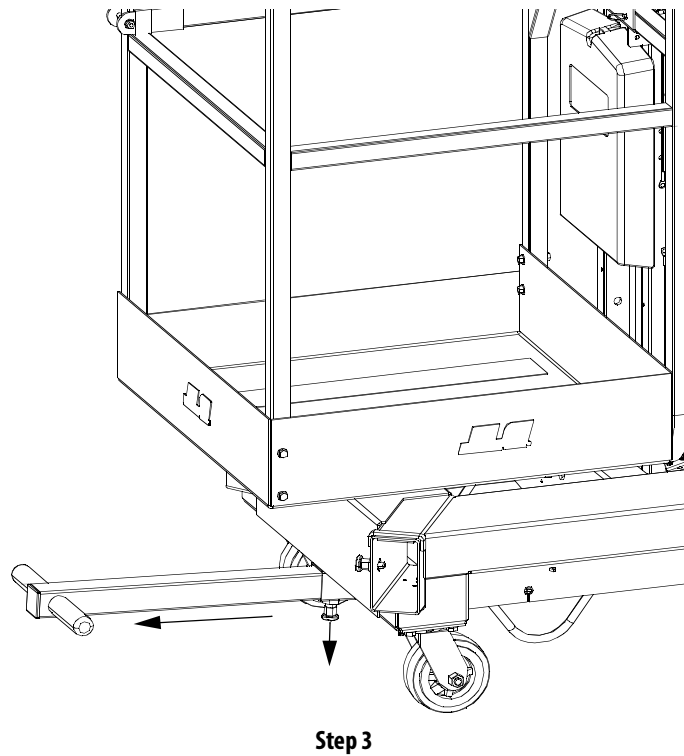
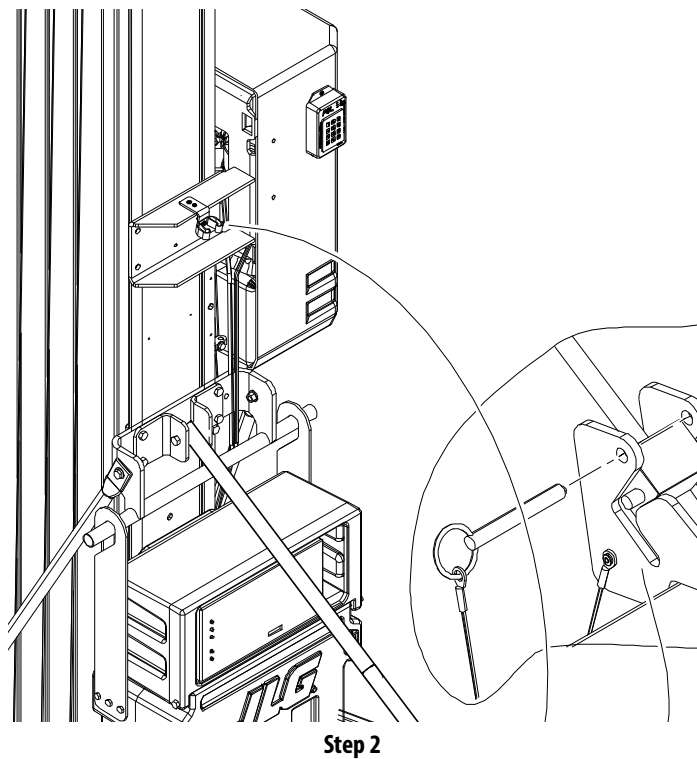
**NOTE:** *If moving machine in other than a straight line forward, unlock tilt-back swivel wheels by pulling the swivel wheel lock pins out then turning pins 90° to the unlock position. This will allow the tilt-back swivel wheels to rotate freely and steer machine while moving.*

5. (Step 3) Fully extend the T-handle lifting bar located under the front of the machine by pulling down on the release/lock pin located under the bar. Fully extend the lifting bar until the release/lock pin snaps back in, locking the bar in place. Push or pull bar to be certain it is secure before lifting machine.
6. (Step 4) With both hands on the grips of the T-handle lifting bar, carefully lift the front of the machine and tilt the machine back onto the tilt-back assembly and the gas spring cylinder.
7. Push machine around using the loop grips just behind the front swivel wheel assemblies under the base frame.

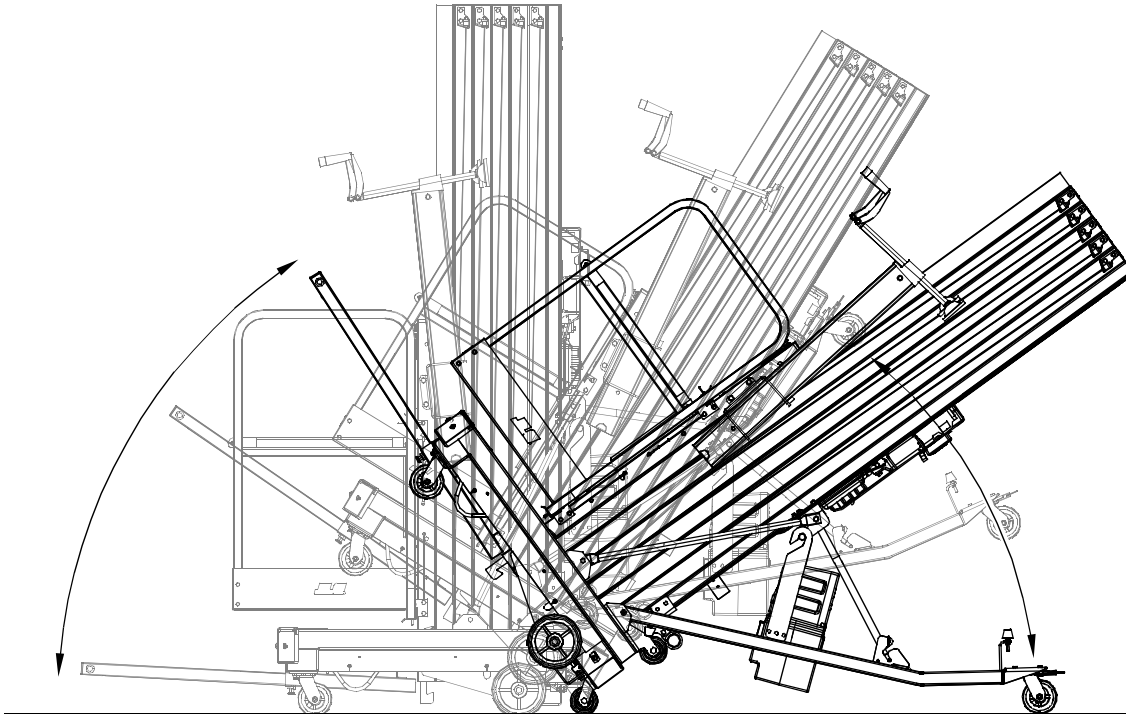


Step 1

Figure 4-7. Tilt-Back Assembly Set-Up



**Figure 4-8. Tilt-Back Assembly Set-Up**



Step 4

Figure 4-9. Tilt-Back Assembly Set-Up

## SECTION 4 - MACHINE OPERATION

---

### Pickup Truck Loading Device (Option)

(See Figure 4-10.)

**NOTE:** *The stowed mast height of the 38AM exceeds the length of most pick-up truck beds. JLG does not recommend transporting those models by pick-up truck.*

AM model machines can be transported in a standard full size pickup truck. If the machine is equipped with the loading device option, it can be loaded and unloaded by one person.

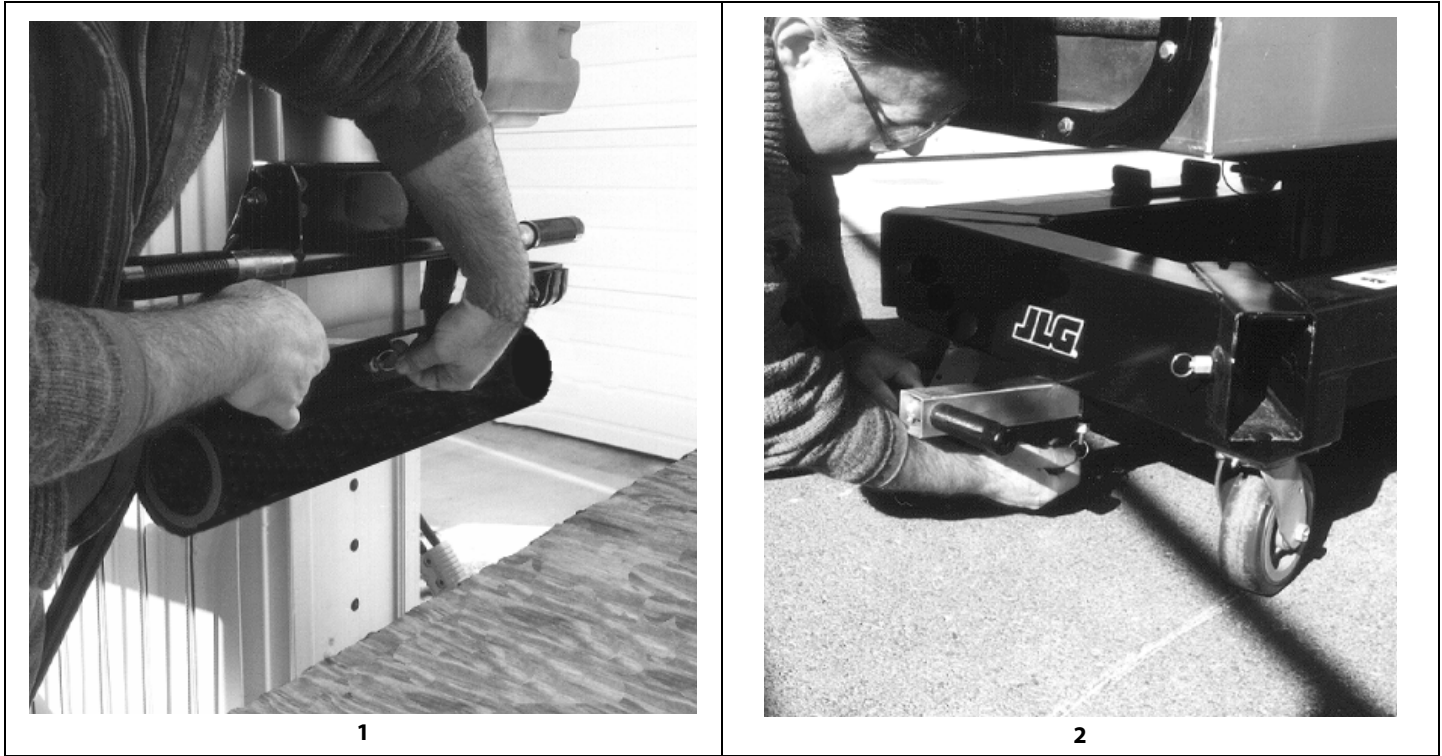
**NOTE:** *For a smooth rolling surface and even weight distribution, it is recommended that 3/4" to 1" (2 to 2.5cm) thick plywood be placed in the truck bed and out onto the tailgate. This should avoid tailgate damage.*

Park truck on a firm, smooth, level surface with the tailgate open. Remove the battery/charger storage box from DC model machines.

1. Set load pivot bar on back of mast so bar is set approximately 1 - 2 in (3 to 5 cm) above tailgate height. Use the spring loaded locking pin to raise or lower the load pivot bar. Once bar is locked in place, push machine against the tailgate.
2. At front of the machine, extend the T-handle lifting bar from the base frame.

3. Begin lifting the machine onto the tailgate of the truck with the T-handle lifting bar. As machine begins to pivot be certain the load pivot bar is engaging the truck tailgate.
4. Continue lifting and pushing machine onto the truck bed, firmly grasp the machine by the base frame pushing it all the way into truck bed.
5. Secure machine to the truck bed with rope or tie down hooks to limit any machine movement while transporting.

To unload machine from truck bed, reverse loading instructions above.



**Figure 4-10. Loading Machine onto Bed of Pick-Up Truck.**

## SECTION 4 - MACHINE OPERATION



3



4

Figure 4-10. Loading Machine onto Bed of Pick-Up Truck.





5

**Figure 4-10. Loading Machine onto Bed of Pick-Up Truck.**

## SECTION 4 - MACHINE OPERATION

---

### Lifting

To lift the machine, use suitable lifting equipment capable of handling the weight of the machine.

**NOTE:** Fork lifts, cranes, chains, slings, etc. must be capable of handling the following weights:

**Table 4-2. AM Machine Gross Weights**

AM Model	Gross Weight
25AM-AC	825 lb. (374kg)
25AM-DC	905 lb. (411kg)
30AM-AC	1030 lb.(467kg)
30AM-DC	1110 lb.(503kg)
38AM-AC	1265 lb.(574kg)
38AM-DC	1395 lb. (633kg)

**NOTE:** All AM models are equipped with forklift pockets at the mast end of frame for transporting the unit. An optional crane hook is available. Do not lift with a crane without the optional crane hook.

### Machine Tie Down

Secure the machine to the transport vehicle using the tie down lug weldments provided on the rear and sides of the machine.

1. Transport only with platform in the stowed position.
2. Remove all loose items from machine.

## SECTION 5. OPTIONAL EQUIPMENT

### 5.1 OPTIONAL EQUIPMENT

The following optional equipment is available for AM model machines:

#### **22" x 22" Quick-Change Platform** *(Not Available in CE Markets)*

The 22" (56cm) long by 22" (56cm) wide platform features a gull wing gate opening.

#### **26" x 26" Quick-Change Platform** *(Not Available in CE Markets)*

The 26" (66cm) long by 26" (66cm) wide platform features a side entry gate opening.

#### **28" x 26" Quick-Change Platform** *(Not Available in CE Markets)*

The 28" (71cm) long by 26" (66cm) wide platform features a gull wing gate opening.

#### **Tool Tray**

Platform attachment to hold hand tools or other small items placed in the tray.

#### **Fluorescent Tube Caddy**

Platform attachment for handling fluorescent tubes.

#### **Crane Hook**

Attached at the top rear of the mast, the crane hook is used to lift the machine up or down to another level.

#### **Extra Power Pack** *(Battery, Charger & Case)*

Includes the battery, charger and molded case.

#### **Platform Auxiliary Power Lowering Device**

The Platform Auxiliary Power Lowering device is a switch activated battery backed electrical circuit designed to provide power to the platform control box in the event of loss of the machines power supply.

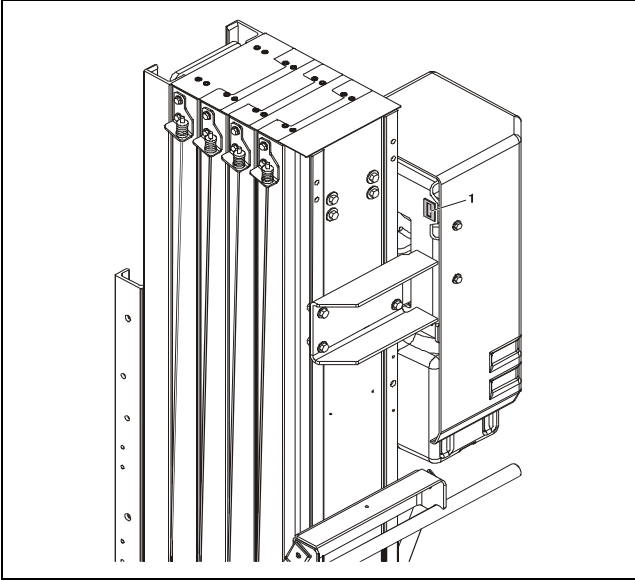
#### **Hour Meter**

*(See Figure 5-1., Hour Meter Location.)*

The machine hour meter accumulates pump operation time during the platform LIFT UP cycle only. The reading indicates hours and tenths of an hour.

## SECTION 5 - OPTIONAL EQUIPMENT

---



**Figure 5-1. Hour Meter Location.**

1. Hour Meter

## **SECTION 6. EMERGENCY PROCEDURES**

### **6.1 GENERAL INFORMATION**

This section explains the steps to be taken in case of an emergency situation while operating the machine.

### **6.2 EMERGENCY OPERATION**

#### **Operator Unable to Control Machine**

IF THE PLATFORM OPERATOR IS PINNED, TRAPPED OR UNABLE TO OPERATE OR CONTROL THE MACHINE, USE THE FOLLOWING INSTRUCTIONS AS A GUIDELINE.

- 1.** Other personnel should operate the machine from ground controls only as required.
- 2.** Only qualified personnel in the platform may use the platform controls. **DO NOT CONTINUE OPERATION IF CONTROLS DO NOT FUNCTION PROPERLY.**
- 3.** Cranes, forklift trucks or other equipment can be used to remove the platform occupant and stabilize motion of the machine.

#### **Platform Caught Overhead**

If the platform becomes jammed or snagged in overhead structures or equipment, do the following:

- 1.** Shut off the machine.
- 2.** Rescue all people in the platform before freeing the machine. Personnel must be out of the platform before operating any controls on the machine.
- 3.** Use cranes, forklifts or other equipment to stabilize motion of the machine to prevent a tip over as required.
- 4.** From the ground controls, carefully free the platform from the object.
- 5.** Once clear, restart the machine and return the platform to a safe position.
- 6.** Inspect the machine for damage. If the machine is damaged or does not operate properly, turn off the machine immediately. Report the problem to the proper maintenance personnel. Do not operate the machine until it is declared safe for operation.

### Righting of Tipped Machine

Before righting a tipped machine, check machine for any damage which may prevent it from setting properly on its base wheels once in a vertical position, (i.e. base wheels damaged, base frame distorted, etc.). Use a crane, forklift or other suitable lifting equipment and carefully lift the machine to an upright position.

#### NOTICE

**FOLLOWING ANY INCIDENT, THOROUGHLY INSPECT THE MACHINE AND TEST ALL FUNCTIONS. DO NOT LIFT ABOVE 10 FEET (3 METERS) UNTIL YOU ARE SURE THAT ALL DAMAGE HAS BEEN REPAIRED, IF REQUIRED, AND THAT ALL CONTROLS ARE OPERATING CORRECTLY.**

### 6.3 INCIDENT NOTIFICATION

JLG Industries, Inc. must be notified immediately of any incident involving a JLG product. Even if no injury or property damage is evident, JLG must be contacted by telephone and provided with all necessary details.

- USA: 877-JLG-SAFE (554-7233)
- EUROPE: (32) 0 89 84 82 20
- AUSTRALIA: (61) 2 65 811111
- E-mail: [productsafety@jlg.com](mailto:productsafety@jlg.com)

#### NOTICE

**FOLLOWING ANY INCIDENT, THOROUGHLY INSPECT THE MACHINE. DO NOT ELEVATE THE PLATFORM UNTIL IT IS CERTAIN THAT ALL DAMAGE HAS BEEN REPAIRED AND THAT ALL CONTROLS ARE OPERATING CORRECTLY. TEST ALL FUNCTIONS FIRST FROM THE GROUND CONTROL STATION THEN FROM THE PLATFORM CONTROL CONSOLE.**

**SECTION 7. GENERAL SPECIFICATIONS AND OPERATOR MAINTENANCE**

**7.1 INTRODUCTION**

This section of the manual provides additional necessary information to the operator for proper operation and maintenance of this machine.

The maintenance portion of this section is intended as information to assist the machine operator to perform daily maintenance tasks only, and does not replace the more thorough Preventive Maintenance and Inspection Schedule included in the Service and Maintenance Manual.

Other Publications Available Specific to this Machine:  
Service and Maintenance Manual

ANSI ..... 31215808

CE ..... 31215808

Illustrated Parts Manual

ANSI ..... 31215809

CE ..... 31215809

## SECTION 7 - GENERAL SPECIFICATIONS AND OPERATOR MAINTENANCE

### 7.2 GENERAL SPECIFICATIONS

#### Machine Specifications

SPECIFICATION		25AM	30AM (EXCEPT CE)	30AM (CE ONLY)	38AM
Gross Machine Weight ( <i>Platform Empty</i> ):	DC:	905 lb. (411kg)	1110lb. (503kg)	1110lb. (503kg)	1395 lb. (633kg)
	AC:	825 lb. (374kg)	1030 lb. (467kg)	1030 lb. (467kg)	1265 lb. (574kg)
Machine Height ( <i>Platform Stowed</i> ) * Machine Height in Tilt-Back Mode		77.3 in. (2m)	77.3 in. (2m)	77.3 in. (2m)	*77 in. (2m) 104.3 in. (2.64m)
Maximum Outrigger Pad Load: ( <i>per outrigger</i> )		510 lb. (231kg)	510 lb. (231kg)	510 lb. (231kg)	510 lb. (231kg)
Outrigger Footprint: ( <i>Length x Width</i> )		68x62 in. (1.72x1.57 m)	79x79 in. (2.0x2.0 m)	75x72 in. (1.90x1.83 m)	86 x84 in. (2.18x2.13m)
Machine Base - Overall : ( <i>Length x Width</i> )		49x29 in. (1.24m x 74cm)	52x29 in. (1.32m x 74cm)	52 x 29 in. (1.32m x 74cm)	57.5 x 29 in. (1.46m x 74cm)
Maximum Wind Speed:		0 mph (0kph) - Machine rated for indoor use only			
Maximum Horizontal Manual Side Force: ( <i>Platform fully extended with Maximum load</i> )		45 Pound Force (200 Newtons)			
Maximum Hydraulic System Pressure:		Pressure Relief Set to 2800 PSI (193 bar) at Factory			



**Electrical Specifications**

SPECIFICATION		25AM	30AM	38AM
System Voltage:	DC Models:	12 Volts DC		
	AC Models:	100/120/240 Volts AC		
Battery Charger ( <i>DC Models</i> )	Input:	120/240 Volts AC - 50/60 Hz - Voltage Selectable		
	Output:	12 Volt - 10 Amps DC - w/Auto Charge Sensing Circuit		

**Battery Specifications**

Battery Type:	WET/DRY COMBO	AGM (VRLA)
Voltage:	12 Volts DC	
Amp Hour (AH) Rating:	105 Amp Hr. @ 20 Hr.	100 Amp Hr. @ 20 Hr.
Reserve Capacity:	165 Min.	N/A
Cold Cranking Amps:	625 Amps @ 0° F	N/A
Weight:	54 lb. (24kg)	78 lb. (35kg)

## SECTION 7 - GENERAL SPECIFICATIONS AND OPERATOR MAINTENANCE

### Platform Data

SPECIFICATION	25AM	30AM	38AM
Occupants: <i>(Persons allowed in Platform)</i>			
Platform Capacity: ANSI: <i>(U.S.A, Brazil, Japan, China, Latin America)</i>	350 lb. (160 kg)	300 lb. (136 kg)	300 lb. (136 kg)
CE: <i>(Europe, Australia)</i>	350 lb. (160 kg)	300 lb. (136 kg)	300 lb. (136 kg)
Platform Height - Mast Fully Extended - <i>(Ground to Platform Floor):</i>	25 ft. (7.62 m)	30 ft. (9.14 m)	38 ft. (11.58 m)
Platform Working Height - <i>(Average Size Person):</i>	31 ft. (9.4 m)	36 ft. (11 m)	44 ft. (13.4 m)
Platform Cycle Performance - <i>(in seconds) (w/max. rated load)</i>			
Pump - Lift Up:	62	72	120
Lift Down:	32-42	32-42	45-55

**Machine Component Weights**

SPECIFICATION	25AM	30AM	38AM
Platform Weight: Standard Platform:	55 lb. (25 kg)		
DC Voltage Battery Pack: <i>(Wet Cell)</i>	70 lb. (32 kg)		

**Serial Number Locations**

For machine identification, a serial number plate is affixed to the machine. The plate is located on the back of the mast, just above the mast support bracket.

## 7.3 OPERATOR MAINTENANCE

### Lubrication

Hydraulic Oil (HO)

HYDRAULIC SYSTEM OPERATING TEMPERATURE RANGE	SAE VISCOSITY GRADE
+0°F to +180°F (-18°C to -83°C)	10W
+0°F to +210°F (-18°C to +99°C)	10W-20, 10W-30
+50°F to +210°F (+10°C to +99°C)	20W-20

Hydraulic oils must have anti-wear qualities at least to API Service Classification GL-3, and sufficient chemical stability for mobile hydraulic system service. JLG Industries, recommends standard UTTO hydraulic oil, which has an SAE viscosity of 10W-30 and a viscosity index of 152.

For cold weather applications, i.e. when temperatures remain consistently below +20°F (-7°C) JLG recommends using Mobil DTE 13 hydraulic oil.

Aside from JLG recommendations, it is not advisable to mix oils of different brands or types, as they may not contain the same required additives or be of comparable viscosities. If use of hydraulic oil other than standard UTTO is desired, contact JLG Industries for proper recommendations

**Table 7-1. - Lubrication Specifications**

KEY	SPECIFICATIONS
MPG-	Multipurpose Grease having a minimum dripping point of 350° F. Excellent water resistance and adhesive qualities, and being of extreme pressure type. (Timken OK 40 pounds minimum.)
EPGL-	Extreme Pressure Gear Lube (oil) meeting API service classification GL-5 or MIL-Spec MIL-L-2105.
HO-	Hydraulic Oil. ISO-Vg grade 32, 46.
CL-	Chain Lube. Use a good quality chain lubricant

**NOTE:** Refer to Lubrication Chart, Table 7-2 for specific lubrication locations on machine.

## Battery Maintenance

**NOTE:** This information applies to wet cell batteries only. Do not attempt to open a maintenance-free sealed battery.

Battery fluid level should be approximately 1/8" (3mm) below vent tubes. (See Illustration)

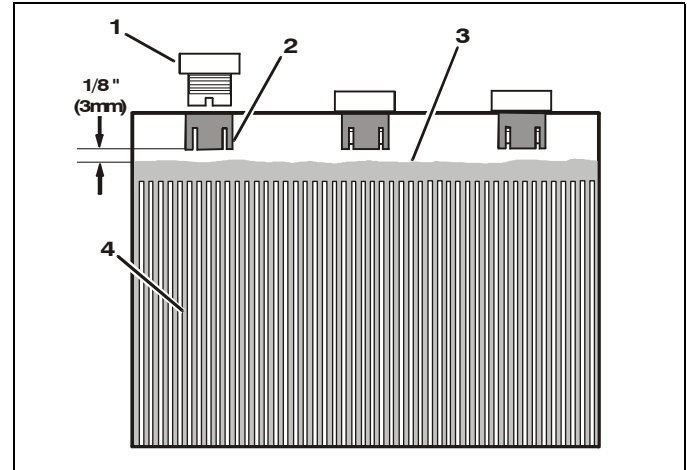
Keep cable connections clean and free of corrosion.

### **⚠ CAUTION**

**BATTERY ACID IS HIGHLY CORROSIVE. AVOID CONTACT WITH SKIN AND CLOTHING AT ALL TIMES.**

**BATTERY ACID RELEASES AN EXPLOSIVE GAS WHILE CHARGING, ALLOW NO OPEN FLAMES, SPARKS OR LIGHTED TOBACCO PRODUCTS IN THE AREA WHILE CHARGING BATTERIES. CHARGE BATTERIES ONLY IN A WELL VENTILATED AREA.**

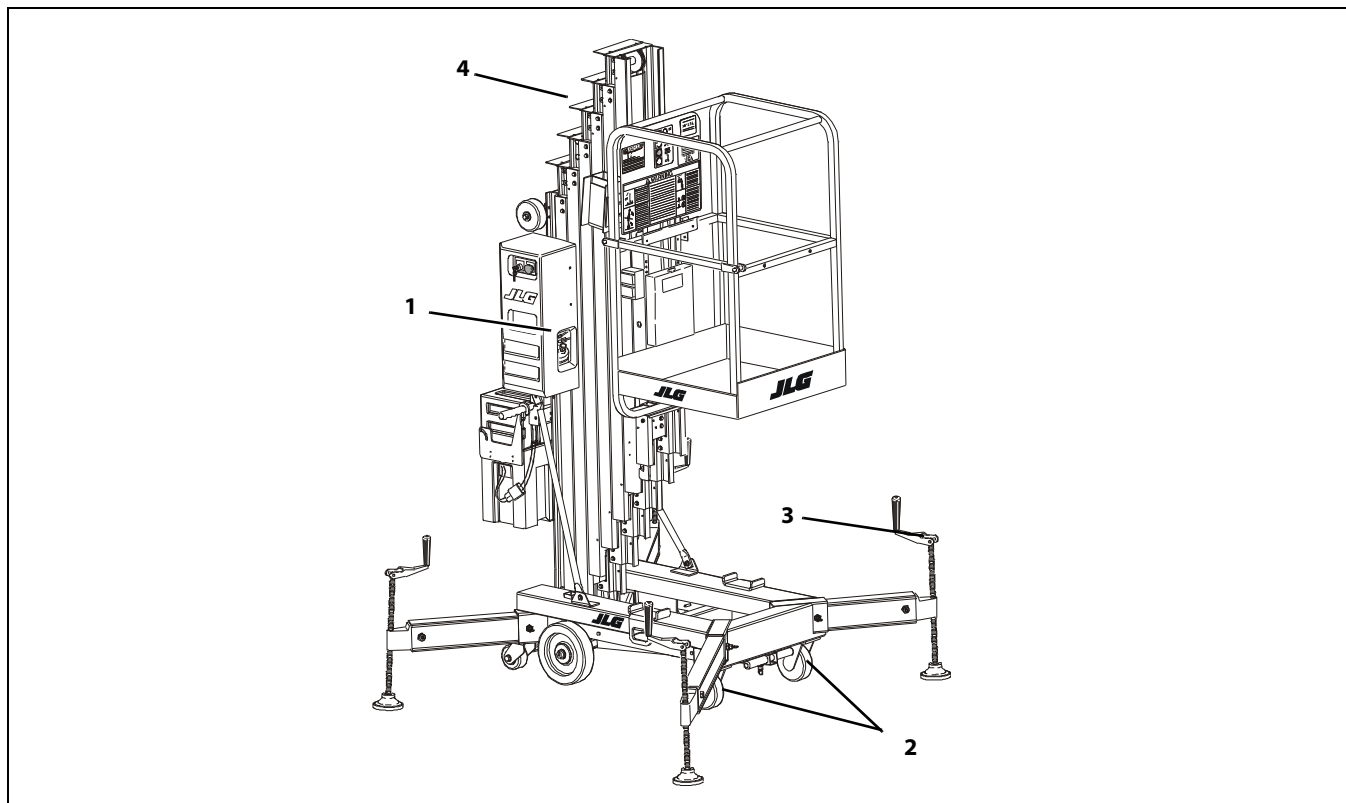
**ADD ONLY DISTILLED WATER TO BATTERIES. WHEN ADDING DISTILLED WATER TO THE BATTERIES, A NON-METALLIC CONTAINER AND/OR FUNNEL MUST BE USED.**



**Battery Fluid Level**

- |                       |                |
|-----------------------|----------------|
| 1. Battery Filler Cap | 3. Fluid Level |
| 2. Vent Tube          | 4. Cell Plates |

## SECTION 7 - GENERAL SPECIFICATIONS AND OPERATOR MAINTENANCE



**SECTION 7 - GENERAL SPECIFICATIONS AND OPERATOR MAINTENANCE**

**Table 7-2. - Lubrication Intervals for Various Components**

ITEM	COMPONENT	NO/TYPE LUBE POINTS	LUBE/METHOD	INTERVAL HOURS				COMMENTS
				3 MONTHS 150 Hrs.	6 MONTHS 300 Hrs.	1 YEAR 600 Hrs.	2 YEARS 1200 Hrs.	
1	Hydraulic Oil	Fill To Line on Reservoir 5 Qt. (4.3 L) Reservoir	HO/Check Hydraulic Oil Level HO/Change Hydraulic Oil				X	Check oil level every day. Change hydraulic oil every 2 years.
2	Swivel Raceways	2 - Front Casters	MPG - Pressure Gun		X			
3	Leveling Jack Screws	4 - Jack Threads	MPG - Brush		X			
4	Mast Chains *	2 - Per Section	CL - Brush or Spray		X			Inspect, lubricate if drying or rusting.
<p>* Applies Only to Mast Sections with Chains.</p> <p>Key to Lubricants:   <b>MPG</b> - Multipurpose Grease                                <b>HO</b> - Hydraulic Oil - ISO-Vg grade 32, 46.                                <b>CL</b> - Chain Lube. Use a good quality chain lubricant</p>								
<p>Notes:</p> <ol style="list-style-type: none"> <li>1. Be certain to lubricate like items on each side of the machine.</li> <li>2. Recommended lubricating intervals are based on normal use. If machine is subjected to severe operating conditions, such as a high number of cycles, location, corrosive/dirty environment, etc., user must adjust lubricating requirements accordingly.</li> <li>3. Lubricating intervals are calculated on 50 hours of machine operation a week.</li> <li>4. Prior to checking hydraulic oil level, operate machine through one complete cycle of lift function (full up and down). Failure to do so will result in incorrect oil level reading on the hydraulic reservoir.</li> </ol>								

### **7.4 SUPPLEMENTAL INFORMATION**

The following information is provided in accordance with the requirements of the European Machinery Directive 2006/42/EC and is only applicable to CE machines.

For electric powered machines, the equivalent continuous A-Weighted sound pressure level at the work platform is less than 70dB(A).

For combustion engine powered machines, guaranteed Sound Power Level (LWA) per European Directive 2000/ 14/EC (Noise Emission in the Environment by Equipment for Use Outdoors) based on test methods in accordance with Annex III, Part B, Method 1 and 0 of the directive, is 109 dB.

The vibration total value to which the hand-arm system is subjected does not exceed 2,5 m/s<sup>2</sup>. The highest root mean square value of weighted acceleration to which the whole body is subjected does not exceed 0,5 m/s<sup>2</sup>.



**SECTION 8. INSPECTION AND REPAIR LOG**

Machine Serial Number: \_\_\_\_\_

**Table 8-1. Inspection and Repair Log**

<b>DATE</b>	<b>COMMENTS</b>

**SECTION 8 - INSPECTION AND REPAIR LOG**

---

Machine Serial Number: \_\_\_\_\_

**Table 8-1. Inspection and Repair Log**

<b>DATE</b>	<b>COMMENTS</b>





An Oshkosh Corporation Company

***Corporate Office***

***JLG Industries, Inc.***

***1 JLG Drive***

***McConnellsburg, PA 17233-9533 USA***

***☎ (717) 485-5161 (Corporate)***

***☎ (877) 554-5438 (Customer Support)***

***☎ (717) 485-6417***

***Visit our website for JLG Worldwide Locations.***

***[www.jlg.com](http://www.jlg.com)***